
OWNER'S MANUAL

FREE STANDING JIB CRANE 350 Series

1/8 Ton through 1 Ton Capacity

Product Code and Serial Number

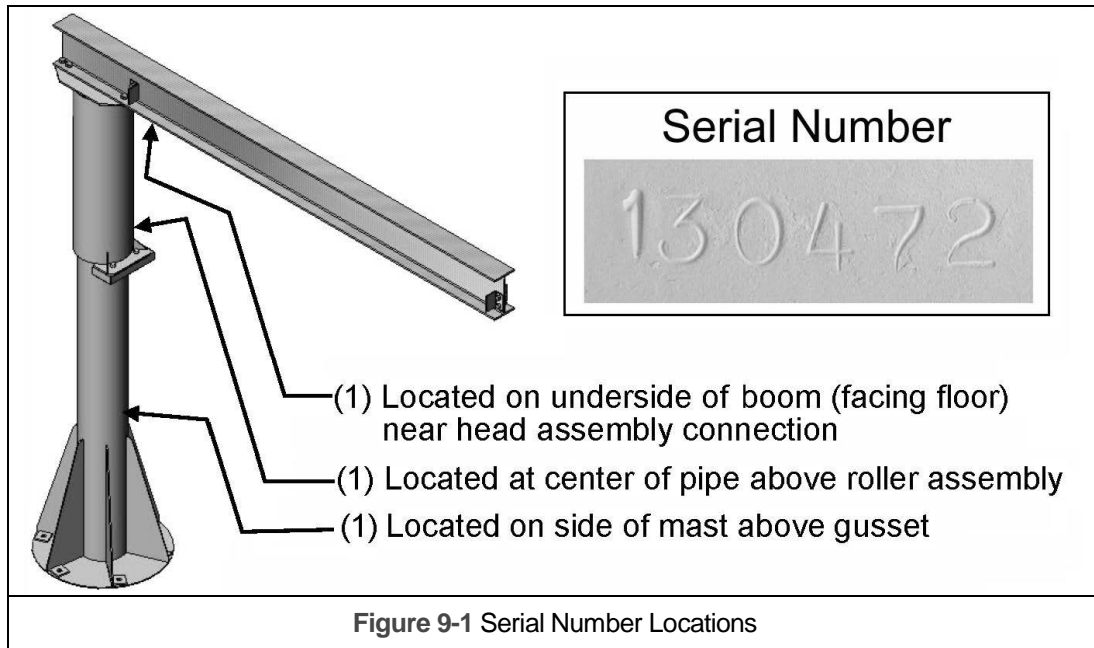
⚠ WARNING

This equipment should not be installed, operated or maintained by any person who has not read and understood all the contents of this manual. Failure to read and comply with the contents of this manual can result in serious bodily injury or death, and/or property damage.



9.0 Parts Information

When ordering Parts, please provide the crane serial number which is stamped into each crane part (see Figure 9-1). The serial number is also located underneath the “Tiger Track” logo.



The parts list is arranged into the following sections:

Section	Page
9.1 Jib Crane Parts.....	24
9.2 Roller Cage Assembly Parts.....	26
9.3 Labels.....	28

9.1 Jib Crane Parts

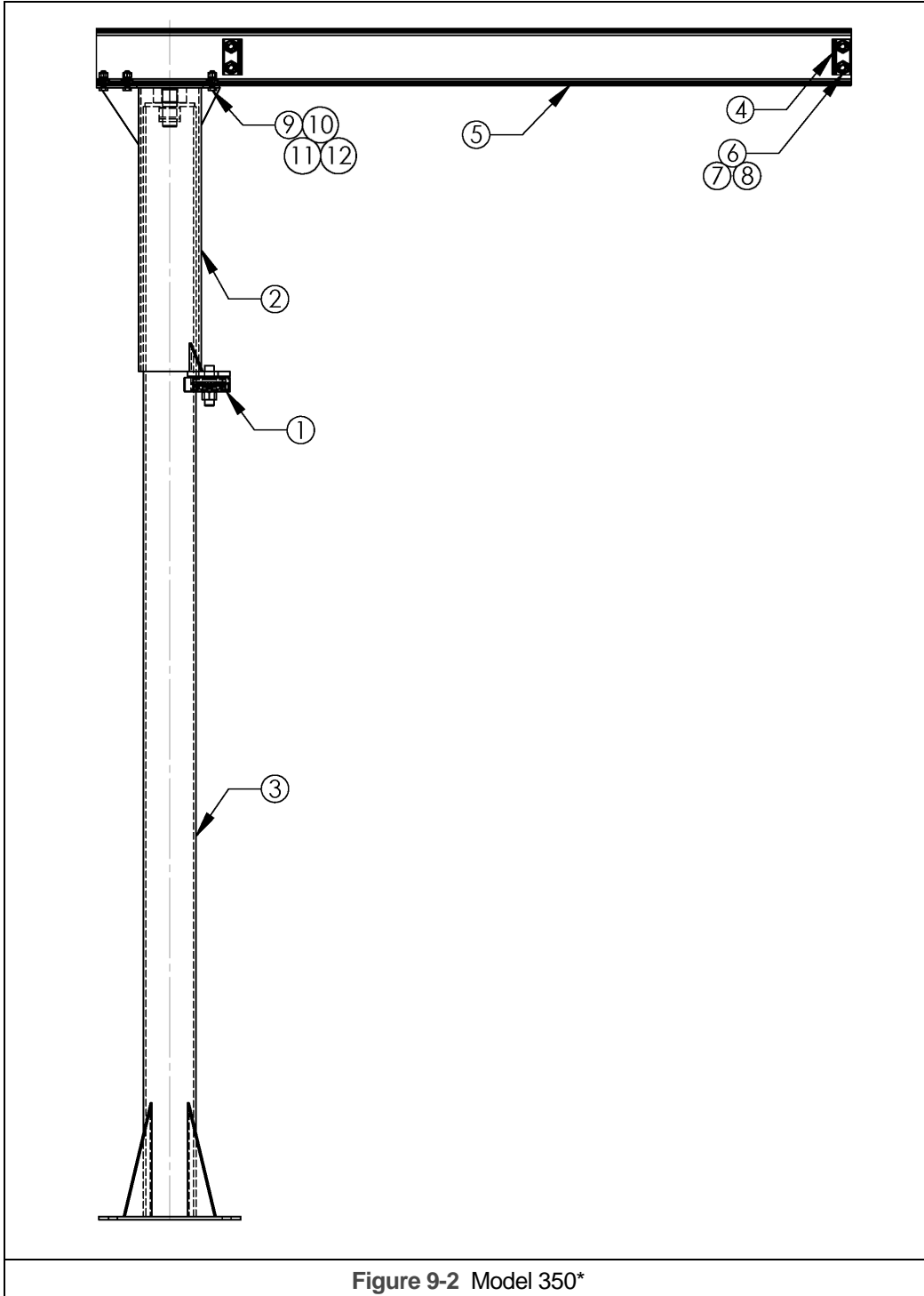


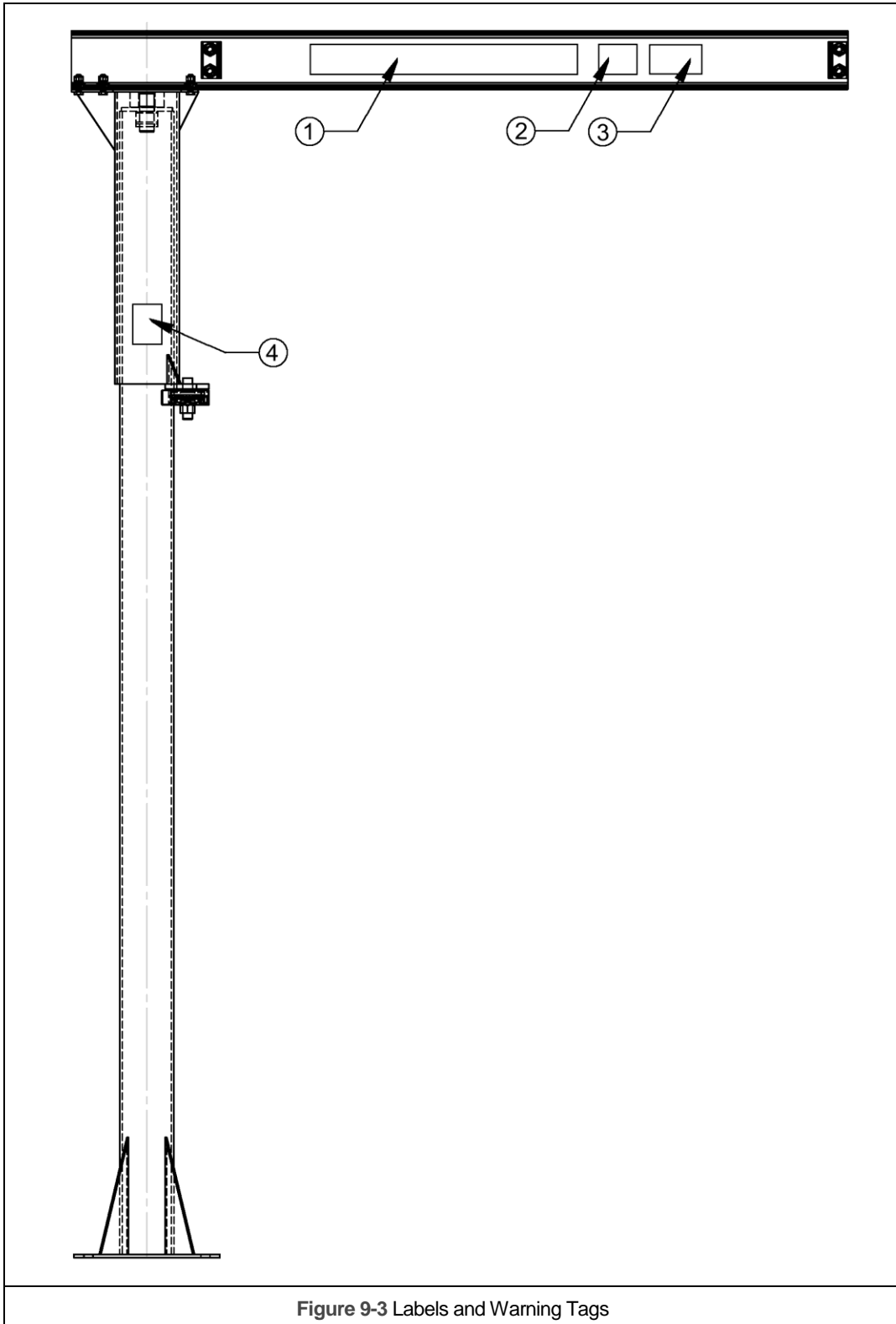
Figure 9-2 Model 350*

*Model 350 is shown for reference only, but figure numbers apply for 350F

9.1 Jib Crane Parts

FIGURE NO.	DESCRIPTION	QTY	MAST DIAMETER (inches)		
			5-9/16"	8-5/8"	10-3/4"
1	Roller	2	TT0700211		
2	Head Assembly	1	SEE BILL OF MATERIALS ON JIB CRANE DRAWING		
3	Mast Assembly	1			
4	End Stops	4			
5	Boom Assembly	1			
6	Bolt	4			
7	Lock Washer	4			
8	Nut	4			
9	Bolt	-			
10	Lock Washer	-			
11	Square Beveled Washer	-			
12	Nut	-			

9.2 Labels



9.2 Labels

Figure No.	Description	Qty	BOOM HEIGHT (inches)		
			6	8	10
1	Logo	2	8047301		
2	Capacity Number, 1	-	8047306		
	Capacity Number, 2		8047307		
	Capacity Number, 3		8047308		
	Capacity Number, 4		8047309		
	Capacity Number, 5		8047310		
	Capacity Number, 6		8047311		
	Capacity Number, 7		8047312		
	Capacity Number, 8		8047313		
	Capacity Number, 9		8047314		
	Capacity Number, 0		8047315		
	Capacity Slash		8047316		
3	Capacity Unit, TON	2	8047303		
	Capacity Unit, LBS		8047304		
	Capacity Unit, KG		8047305		
4	Danger label	2	80472		

TIGER **TRACK**

www.tigertrack.net

Headquarters

401 West End Avenue
Manheim, PA 17545-1703
Phone: 717-665-2000
Toll Free: 800-233-3010
Fax: 717-665-2861

Western Division

2341 Pomona Rd. #103
Corona, CA 92880-6973
Phone: 951-279-7100
Toll Free: 800-317-7111
Fax: 951-279-7500

TT3500M