
OWNER'S MANUAL

FIXED AND ADJUSTABLE HEIGHT GANTRY CRANE 511/512 Series

1 Ton through 3 Ton Capacity

Product Code and Serial Number

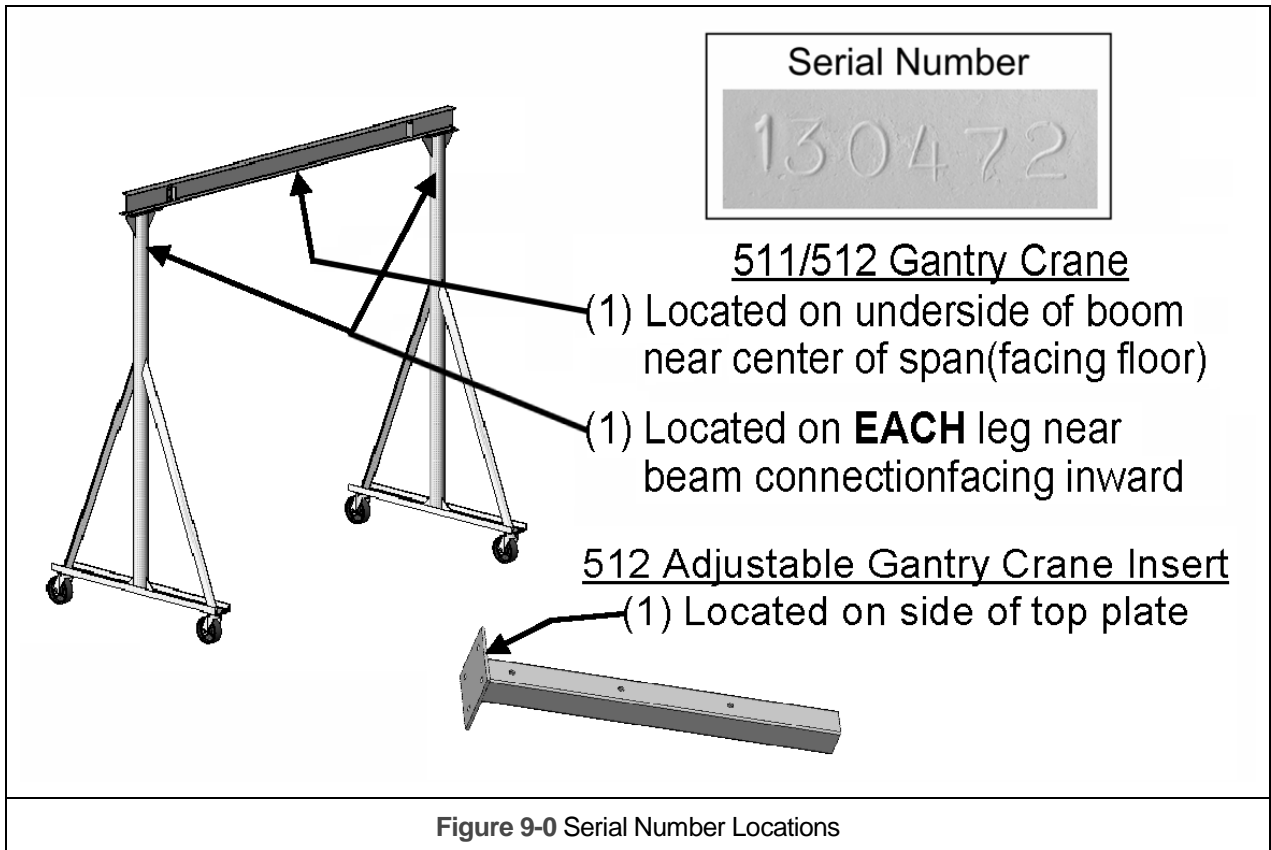
WARNING

This equipment should not be installed, operated or maintained by any person who has not read and understood all the contents of this manual. Failure to read and comply with the contents of this manual can result in serious bodily injury or death, and/or property damage.

TIGER  **TRACK**

9.0 Parts Information

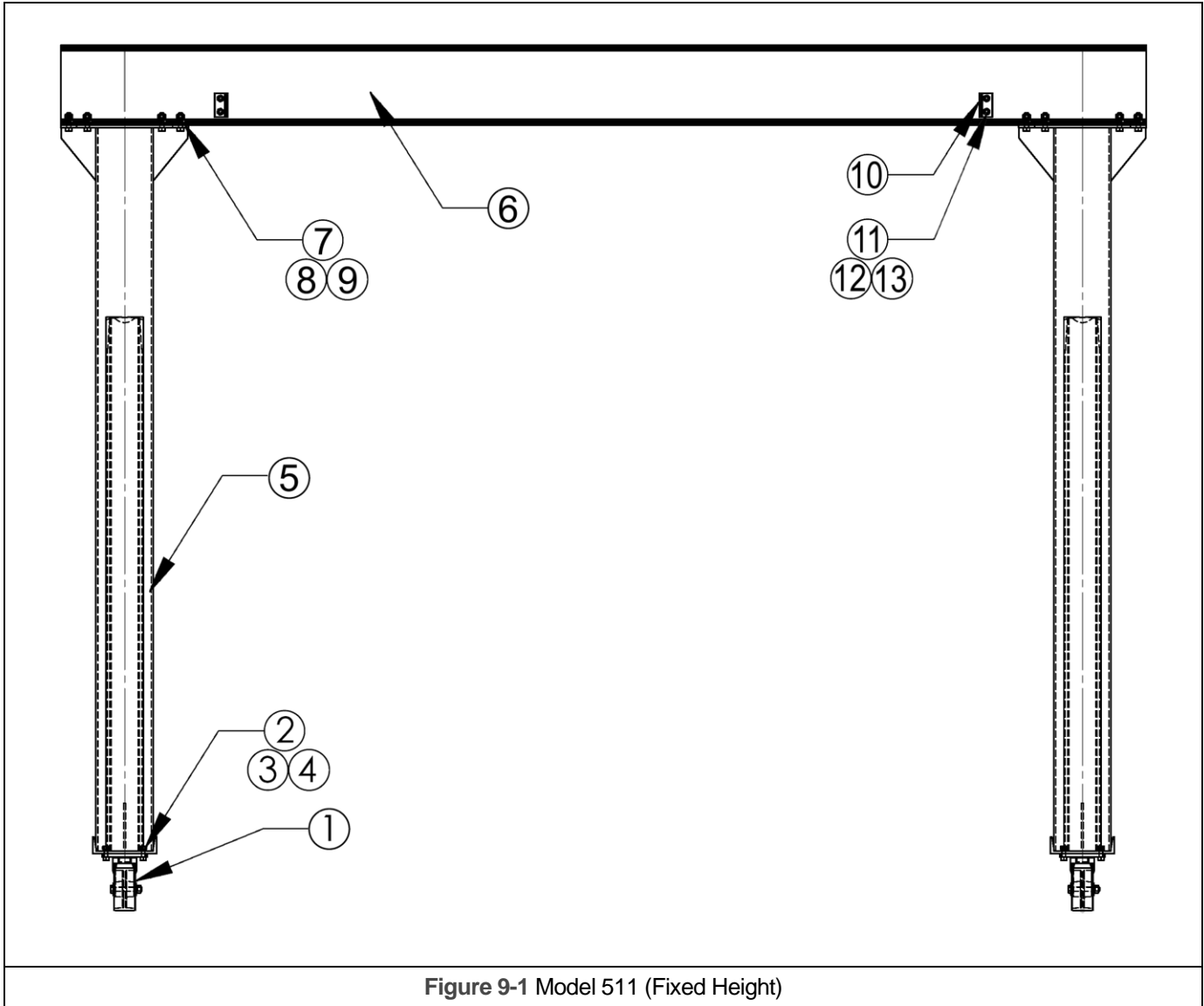
When ordering Parts, please provide the crane serial number which is stamped into each crane part (see **Figure 9-0**). The serial number is also located underneath the “Tiger Track” logo.



The parts list is arranged into the following sections:

Section	Page
9.1 Model 511 Crane Parts.....	22
9.2 Model 512 Crane Parts.....	24
9.3 Labels.....	26

9.1 Model 511 Crane Parts



9.1 Model 511Crane Parts

			CAPACITY FOR MODEL 511 (TON)			
FIGURE NO.	DESCRIPTION	QTY	1/2	1	2	3
1	Caster	4	TT0550000		TT0550001	TT0550002
2	Bolt	16	TT0960022		TT0960023	
3	Locking washer	16	TT0980004		TT0980003	
4	Nut	16	TT0970004		TT0970003	
5	Leg Assembly	2	SEE BILL OF MATERIALS ON CRANE DRAWING			
6	Beam	1				
7	Bolt	-				
8	Locking washer	-				
9	Nut	-				
10	End Stop	4				
11	Bolt	8				
12	Locking Washer	8				
13	Nut	8				

9.2 Model 512 Crane Parts

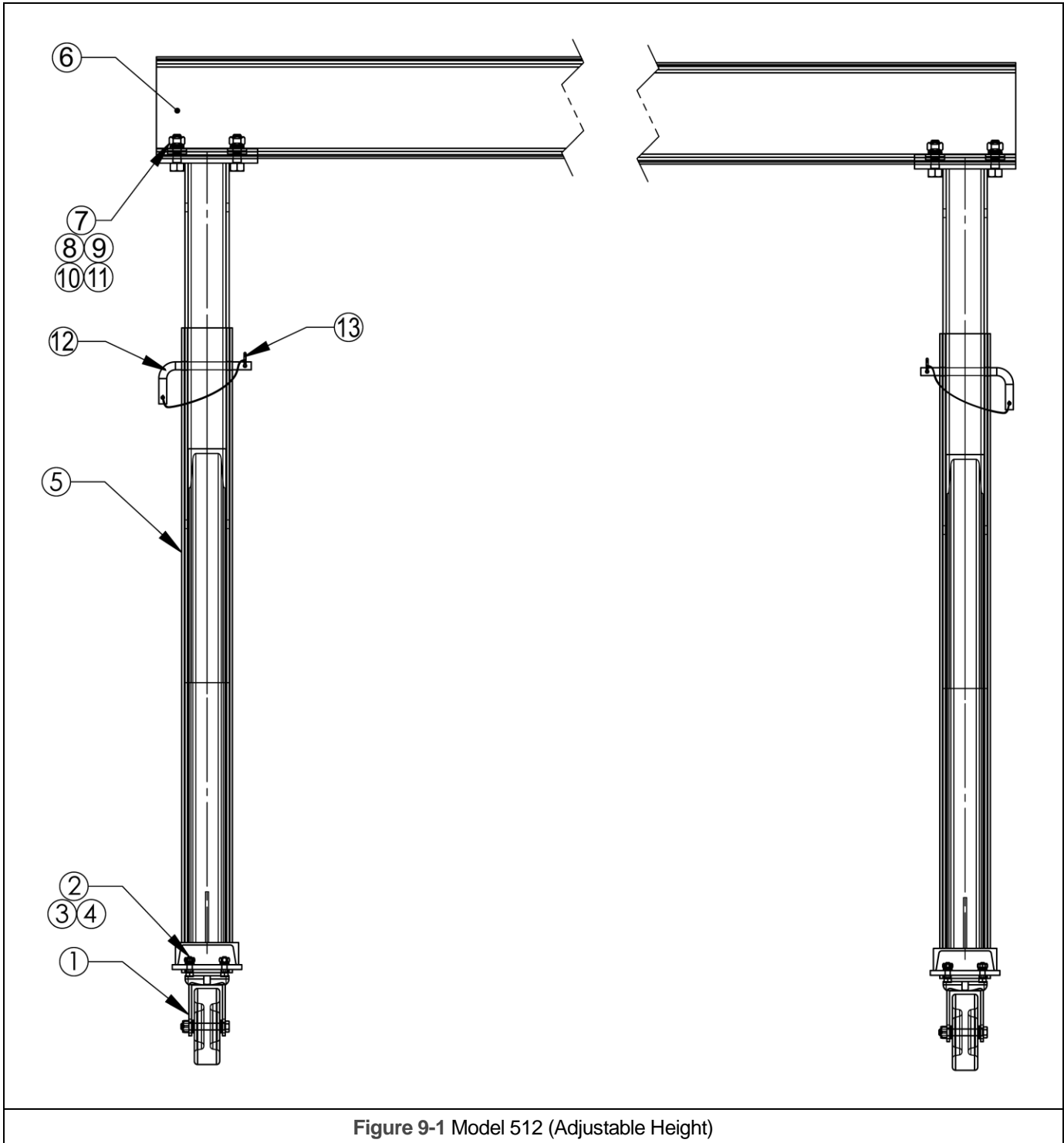


Figure 9-1 Model 512 (Adjustable Height)

9.2 Model 512 Crane Parts

FIGURE NO.	DESCRIPTION	QTY	CAPACITY FOR MODEL 512 (TON)		
			1	2	3
1	Caster	4	TT0550000	TT0550001	TT0550002
2	Bolt	16	TT0960022	TT0960023	
3	Locking Washer	16	TT0980004	TT0980003	
4	Nut	16	TT0970004	TT0970003	
5	Leg Assembly	2	SEE BILL OF MATERIALS ON CRANE DRAWING		
6	Beam	1			
7	Bolt	-			
8	Plate	-			
9	Square Beveled Washer	-			
10	Locking Washer	-			
11	Nut	-			
12	Pin	2			
13	Cotter Pin	2			

9.3 Labels

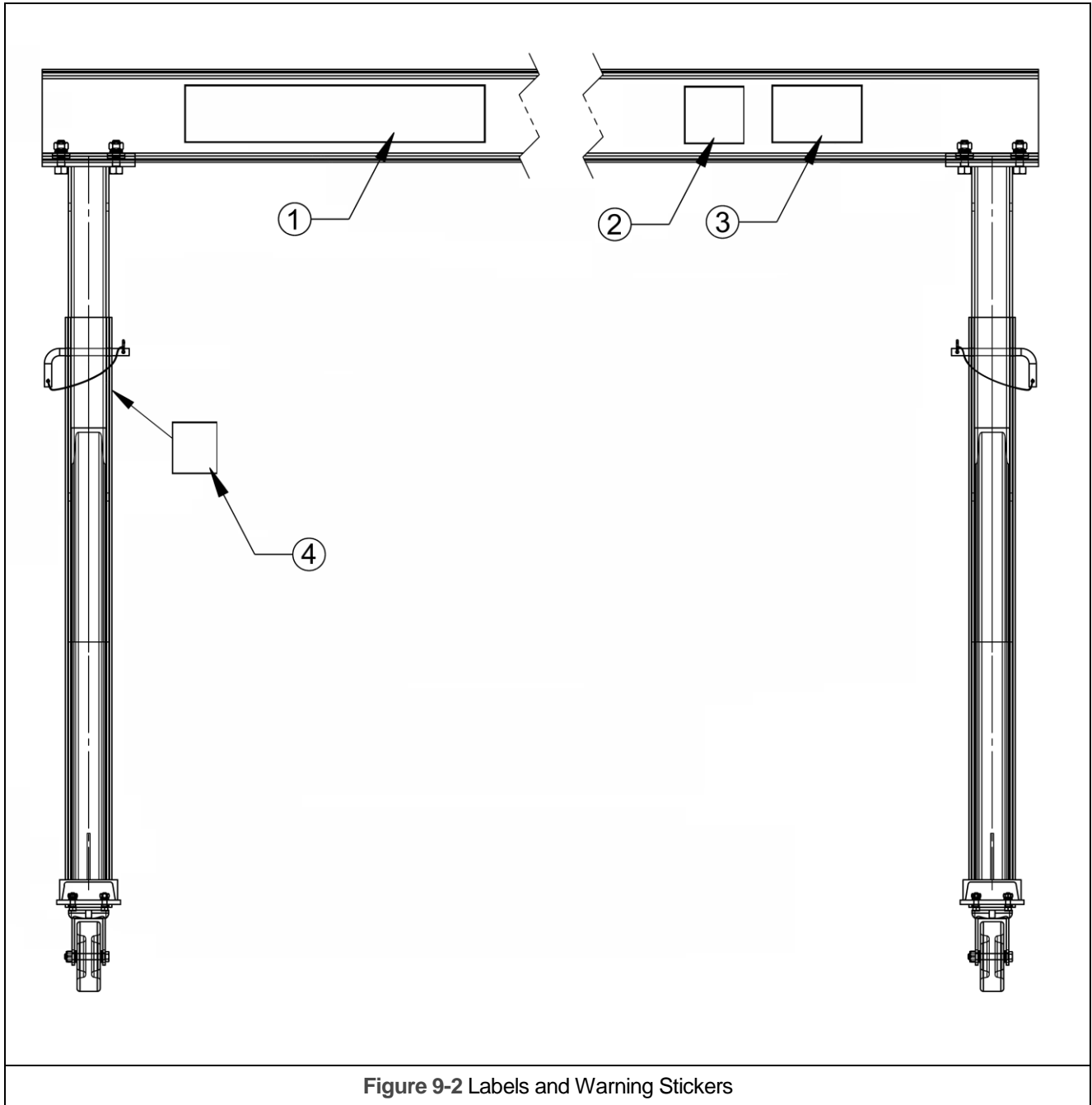


Figure 9-2 Labels and Warning Stickers

9.3 Labels

Figure No.	Description	Qty	BEAM HEIGHT (INCHES)								
			6	8	10	12	14	16	18	20	24
1	Logo	2	8047301			8047302					
2	Capacity Number, 1	-	8047306								
	Capacity Number, 2		8047307								
	Capacity Number, 3		8047308								
	Capacity Number, 4		8047309								
	Capacity Number, 5		8047310								
	Capacity Number, 6		8047311								
	Capacity Number, 7		8047312								
	Capacity Number, 8		8047313								
	Capacity Number, 9		8047314								
	Capacity Number, 0		8047315								
	Capacity Slash		8047316								
3	Capacity Unit, TON	2	8047303								
	Capacity Unit, LBS		8047304								
	Capacity Unit, KG		8047305								
4*	Warning label	2	80472								

*Only applies to Adjustable Height Gantry (Model 512)

This Page Intentionally Left Blank

This Page Intentionally Left Blank

TIGER **TRACK**

www.tigertrack.net

Headquarters

401 West End Avenue
Manheim, PA 17545-1703
Phone: 717-665-2000
Toll Free: 800-233-3010
Fax: 717-665-2861

Western Division

2341 Pomona Rd. #103
Corona, CA 92880-6973
Phone: 951-279-7100
Toll Free: 800-317-7111
Fax: 951-279-7500

TT511-512OM