

# GEARED TROLLEY T3 SERIES 8T ~ 20T PARTS LIST

## IMPORTANT

When ordering replacement parts, please specify the following points:

1. Trolley capacity.
2. Model number in name plate.
3. Correct part names and numbers.
4. Lineal length of hand chain.

HARRINGTON HOISTS, INC.

# HARRINGTON

PEERLESS HOIST PRODUCTS

# A FOR MANUAL HOIST CB

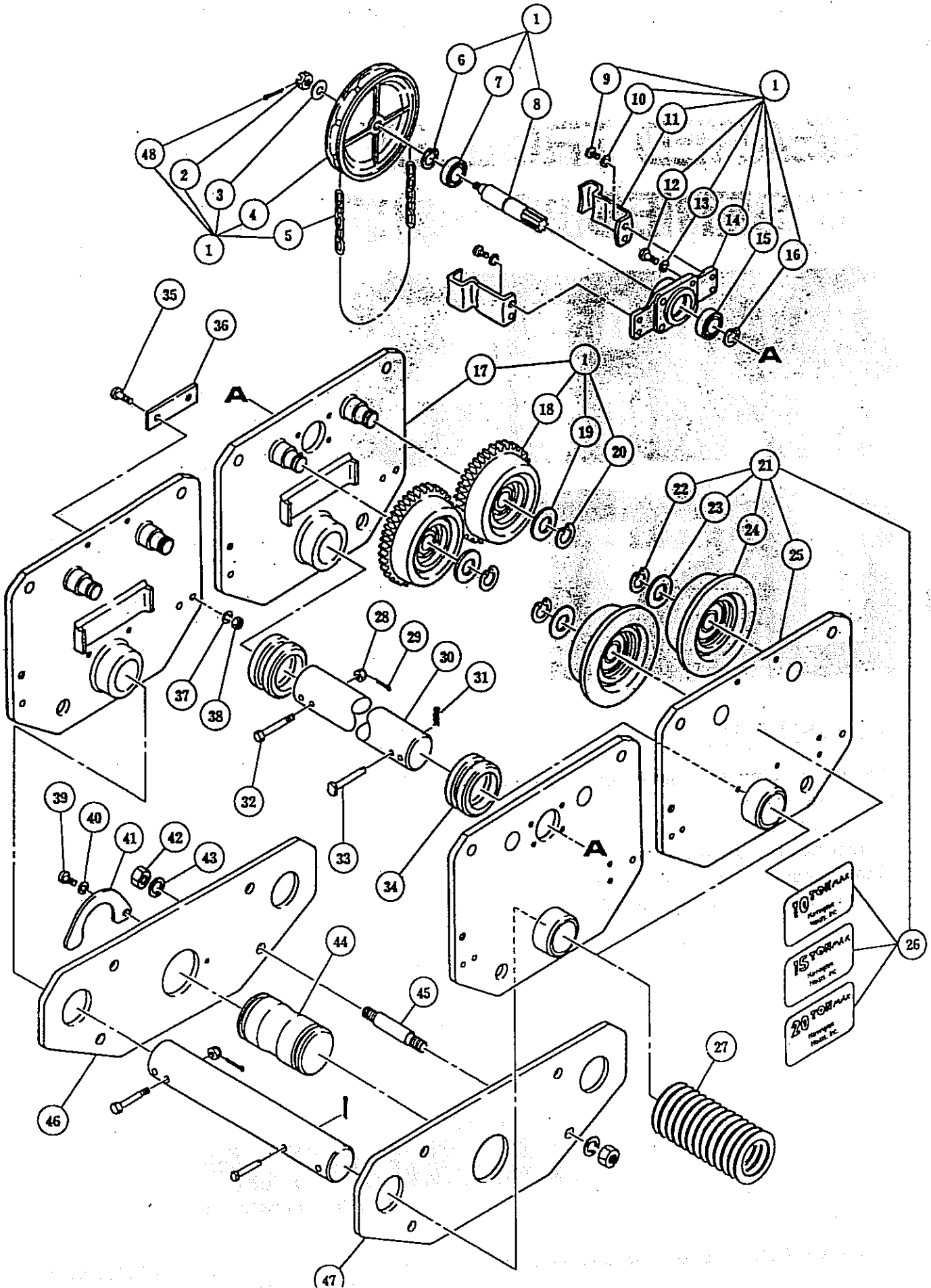


Fig No.	Part No.	Part Name	Nos per Trolley			Capacity		
			10 <sup>T</sup>	15 <sup>T</sup>	20 <sup>T</sup>	10 <sup>T</sup>	15 <sup>T</sup>	20 <sup>T</sup>
1	T3G1111	Side plate G complete set	1	2		1 a		
2	T3G151	Slotted nut	1	2		2 a		
3	9012515	Washer	1	2		3 a		
4	T3G123	Hand wheel	1	2		4 a		
5	CF842	Hand chain	1	2		5 a		
6	9047134	Snap ring	2	4		6 a		
7	9000506	Ball bearing	1	2		7 a		
8	T3G127	Pinion	1	2		8 a		
9	9091272	Socket bolt	4	8		9 a		
10	9012711	Spring washer	4	8		10a		
11	T3G125	Hand chain guide	2	4		11a		
12	9091295	Socket bolt	4	8		12a		
13	9012712	Spring washer	4	8		13a		
14	T3G128	Pinion holder	1	2		14a		
15	9000506	Ball bearing	1	2		15a		
16	9047134	Snap ring	2	4		16a		
17	T3G5111	Side plate G assembly	1	2		17a		
18	T3G1101	Track wheel G assembly	2	4		18a		
19	MS104075	Washer	4	8		19a		
20	9047140	Snap ring	4	8		20a		
21	T3G1110	Side plate B complete set	1	2		21a		
22	9047140	Snap ring	4	8		22a		
23	MS104075	Washer	4	8		23a		
24	T3G1102	Track wheel P assembly	2	4		24a		
25	T3G5110	Side plate B assembly	1	2		25a		
26	T3G801	Name plate B	1	1		26a	26b	26c
27	MS116	Adjusting spacer	15	30		27a		
28	T3G154	Slotted nut	1	2		28a		
29	9009436	Split pin	1	2		29a		
30	MS115	Suspension shaft	1	2		30a		
31	9009436	Split pin	1	2		31a		
32	MS161	Bolt	1	2		32a		
33	MS164	Shaft stopper pin	1	2		33a		
34	MS117	Fixing spacer	4			34a		
35	MS106	Bolt						
36	MS105	Connection plate		4			35a	
37	9012713	Spring washer		2			36a	
38	9093433	Nut		4			37a	
39	9093327	Bolt		4			38a	
40	9012711	Spring washer		1			39a	
41	T3G145	Key plate		1			40a	
42	9093445	Nut		1			41a	
43	9012717	Spring washer		8			42a	
44	T3G144	Suspension shaft		8			43a	
45	T3G143	Stay bolt		1			44a	
46	T3G141	Suspension plate A		4			45a	
47	T3G142	Suspension plate B		1			46a	
48	9009424	Split pin	1	2		48a		

**B FOR ELECTRIC HOIST ES**

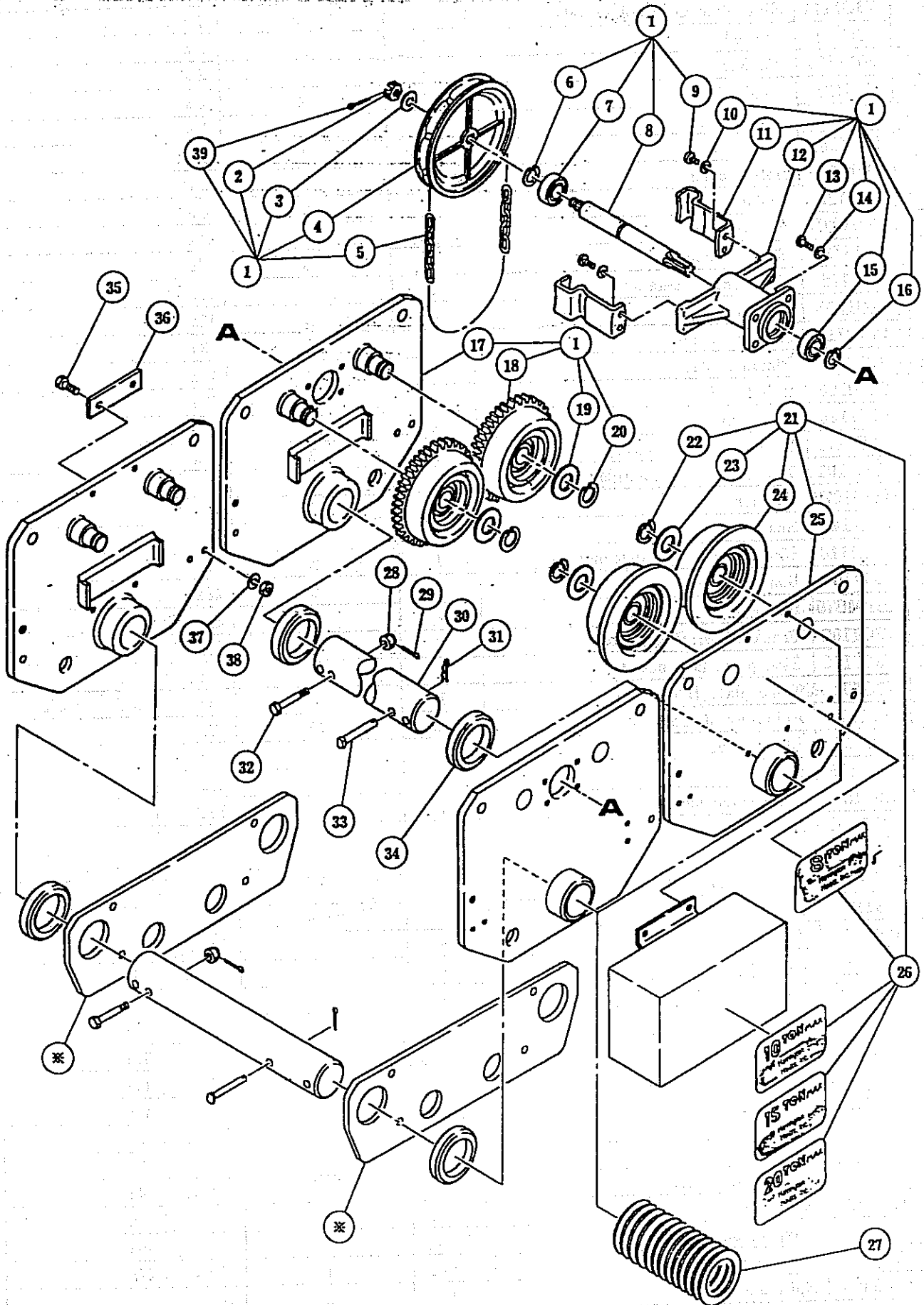
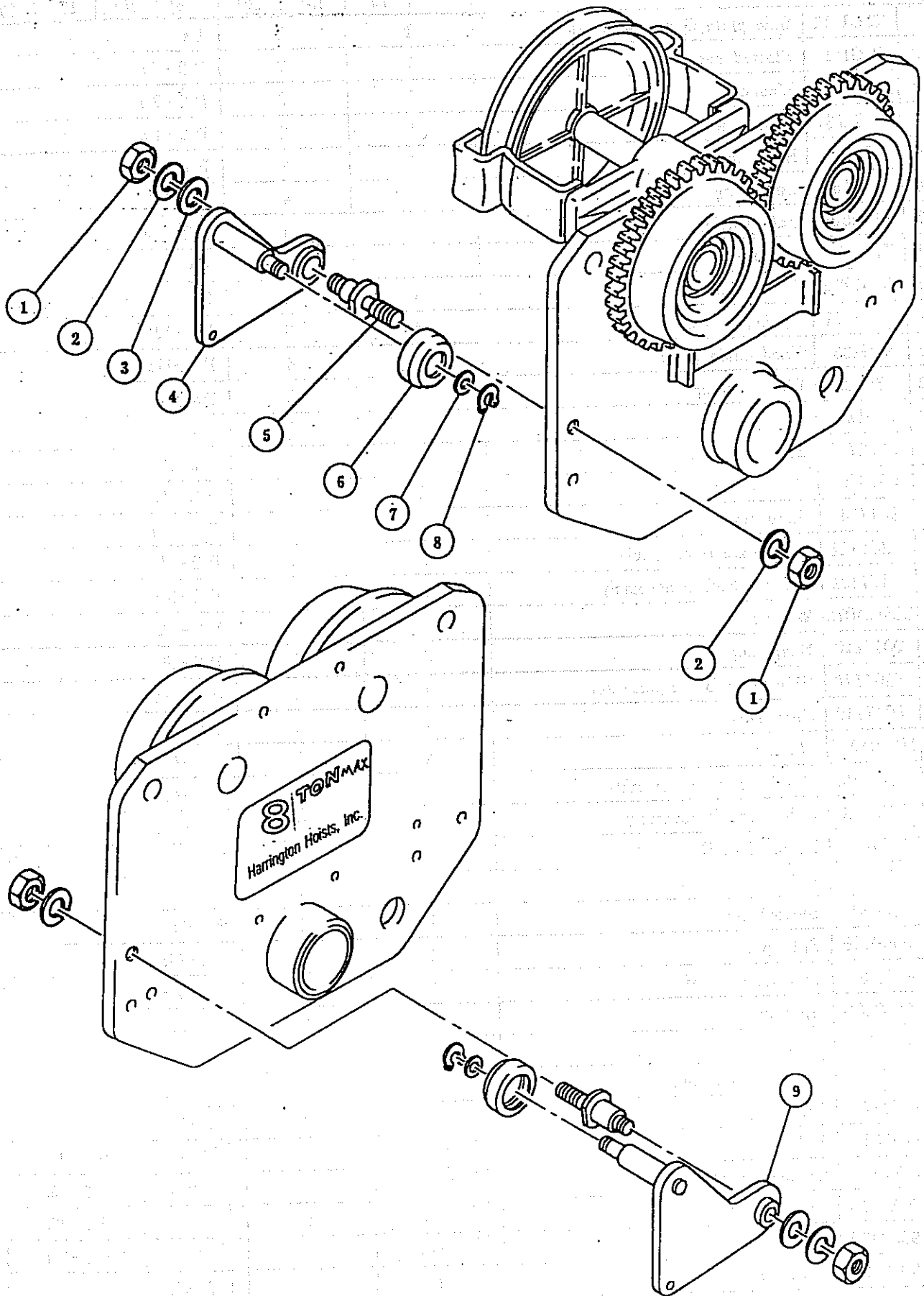


Fig No.	Part No.	Part Name	Nos. per Trolley				Capacity			
			8 <sup>T</sup>	10 <sup>T</sup>	15 <sup>T</sup>	20 <sup>T</sup>	8 <sup>T</sup>	10 <sup>T</sup>	15 <sup>T</sup>	20 <sup>T</sup>
1	T3G1111	Side plate G complete set	1		2		1 a			
2	T3G151	Slotted nut	1		2		P 2-2 a			
3	9012515	Washer	1		2		P 2-3 a			
4	T3G123	Hand wheel	1		2		P 2-4 a			
5	CF842	Hand chain	1		2		P 2-5 a			
6	9047134	Snap ring	2		4		P 2-6 a			
7	9000506	Ball bearing	2		4		P 2-7 a			
8	T3G121	Pinion	1		2		8 a			
9	9091272	Socket bolt	4		8		P 2-9 a			
10	9012711	Spring washer	4		8		P 2-10 a			
11	T3G125	Hand chain guide	2		4		P 2-11 a			
12	T3G122	Pinion holder	1		2		12 a			
13	9091295	Socket bolt	4		8		P 2-12 a			
14	9012712	Spring washer	4		8		P 2-13 a			
15	9000506	Ball bearing	2		4		P 2-15 a			
16	9047134	Snap ring	2		4		P 2-16 a			
17	T3G5111	Side plate G assembly	1		2		P 2-17 a			
18	T3G1101	Track wheel G assembly	2		4		P 2-18 a			
19	MS104075	Washer	4		8		P 2-19 a			
20	9047140	Snap ring	4		8		P 2-20 a			
21	T3G1110	Side plate B complete set	1		2		P 2-21 a			
22	9047140	Snap ring	4		8		P 2-22 a			
23	MS104075	Washer	4		8		P 2-23 a			
24	T3G1102	Track wheel P assembly	2		4		P 2-24 a			
25	T3G5110	Side plate B assembly	1		2		P 2-25 a			
26	T3G801	Name plate B	1		1		26 a	P2-26 a	P2-26 b	P2-26 c
27	MS116	Adjusting spacer	15		30		P 2-27 a			
28	T3G154	Slotted nut	1		2		P 2-28 a			
29	9009436	Split pin	1		2		P 2-29 a			
30	MS115	Suspension shaft	1		2		P 2-30 a			
31	9009436	Split pin	1		2		P 2-31 a			
32	MS161	Bolt	1		2		P 2-32 a			
33	MS164	Shaft stopper pin	1		2		P 2-33 a			
34	MS117	Fixing spacer	2		2		P 2-34 a			
35	MS106	Bolt			4					
36	MS105	Connection plate			2		P 2-35 a			
37	9012713	Spring washer			4		P 2-36 a			
38	9093433	Nut			4		P 2-37 a			
39	9009424	Split pin	1		2		P 2-38 a			
							P 2-48 a			

\* Refer hoist parts list

C. OPTIONAL PARTS FOR ELECTRIC HOIST ES 8T





[The page contains extremely faint, illegible text, likely bleed-through from the reverse side of the document. The text is arranged in several paragraphs across the page.]

