

---

# OWNER'S MANUAL

---

## FREE STANDING JIB CRANE 351/352 Series

½ Ton through 5 Ton Capacity

Product Code and Serial Number

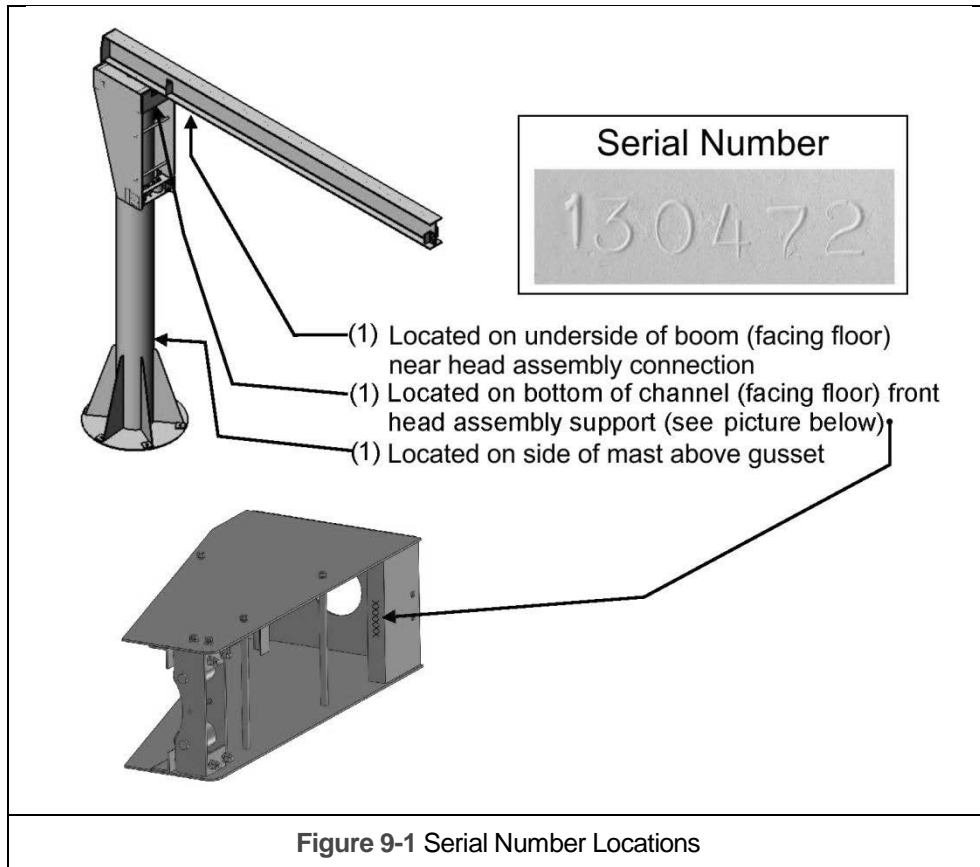
### **WARNING**

This equipment should not be installed, operated or maintained by any person who has not read and understood all the contents of this manual. Failure to read and comply with the contents of this manual can result in serious bodily injury or death, and/or property damage.



## 9.0 Parts Information

When ordering Parts, please provide the crane serial number which is stamped into each crane part (see **Figure 9-1**). The serial number is also located underneath the “Tiger Track” logo.



The parts list is arranged into the following sections:

Section	Page
9.1 Jib Crane Parts.....	26
9.2 Roller Cage Assembly Parts.....	28
9.3 Labels.....	32

## 9.1 Jib Crane Parts

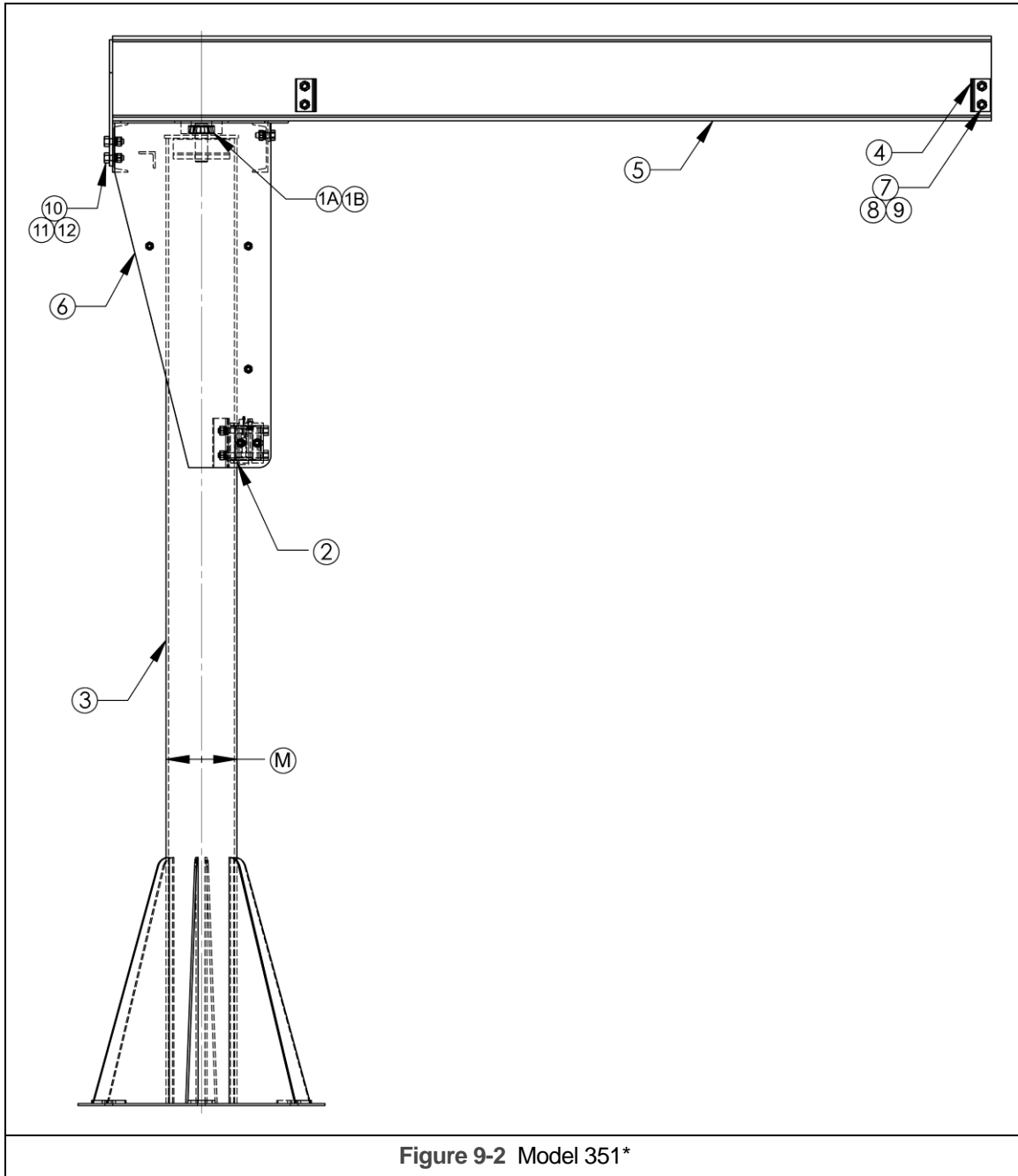


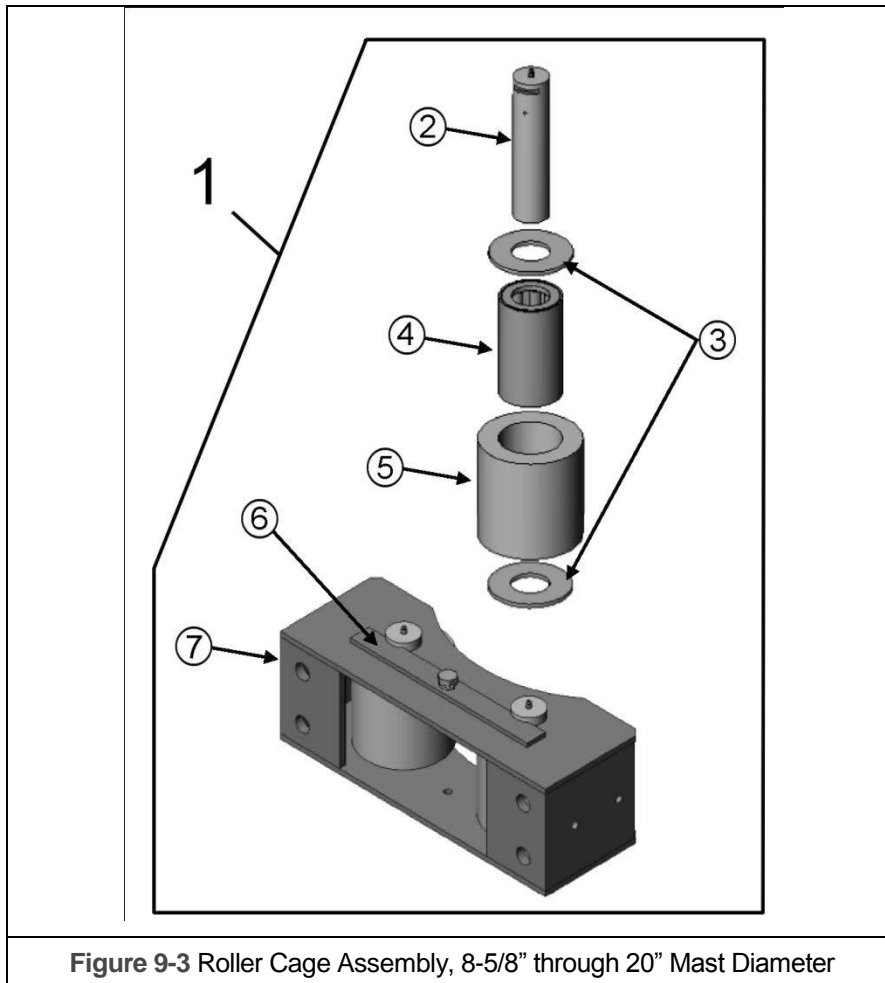
Figure 9-2 Model 351\*

\*Model 351 is shown for reference, but figure numbers apply for 352S and 352F

9.1 Jib Crane Parts

			MAST DIAMETER M (INCHES)								
Figure No.	Description	Qty	8-5/8"	10-3/4"	12-3/4"	14"	16"	18"	20"	24"	30"
1A	Top Thrust Bearing	1	TTHS3381TB				TTHS6379TB			CALL FACTORY	
1B	Thrust Bearing Cone	1	TTHS3320CN				TTHS6320CN			CALL FACTORY	
2	Roller Cage Assembly	1	TT0110803A	TT0111003A	TT0111203A	TT0111405A	TT0111604A	TT0111803A	TT0112003A	TT0112404A	TT0113004A
3	Mast Assembly	1	SEE BILL OF MATERIALS ON JIB CRANE DRAWING								
4	Trolley Stops	4									
5	Boom Assembly	1									
6	Head Assembly	1									
7	Bolt	-									
8	Lock washer	-									
9	Nut	-									
10	Bolt	-									
11	Lock Washer	-									
12	Nut	-									

## 9.2 Roller Cage Assembly Parts



**Figure 9-3** Roller Cage Assembly, 8-5/8" through 20" Mast Diameter

## 9.2 Roller Cage Assembly Parts

			<b>MAST DIAMETER (INCHES)</b>						
<b>Figure No.</b>	<b>Description</b>	<b>Qty</b>	<b>8-5/8"</b>	<b>10-3/4"</b>	<b>12-3/4"</b>	<b>14"</b>	<b>16"</b>	<b>18"</b>	<b>20"</b>
1	Roller Cage Assembly	1	TT0110803A	TT0111003A	TT0111203A	TT0111405A	TT0111604A	TT0111803A	TT0112003A
2	Roller Pin with Zirk Fitting	2	TT0191201			TT0191402	TT0191603		
3	Flat Spacer Washer	4	TT097112501			TT097143801	TT097175001		
4	Roller Bearing	2	TT0700664			TT0700964	TT0700980		
5	Roller	2	TT0181201			TT0181402	TT0181603		
6	Keeper Bar	1	TT2190801	TT2251201		TT2254101	TT2251601	TT2251801	TT2252001
7	Roller Cage Weldment	1	TT0110803	TT0111003	TT0111203	TT0111405	TT0111604	TT0111803	TT0112003

## 9.2 Roller Cage Assembly Parts

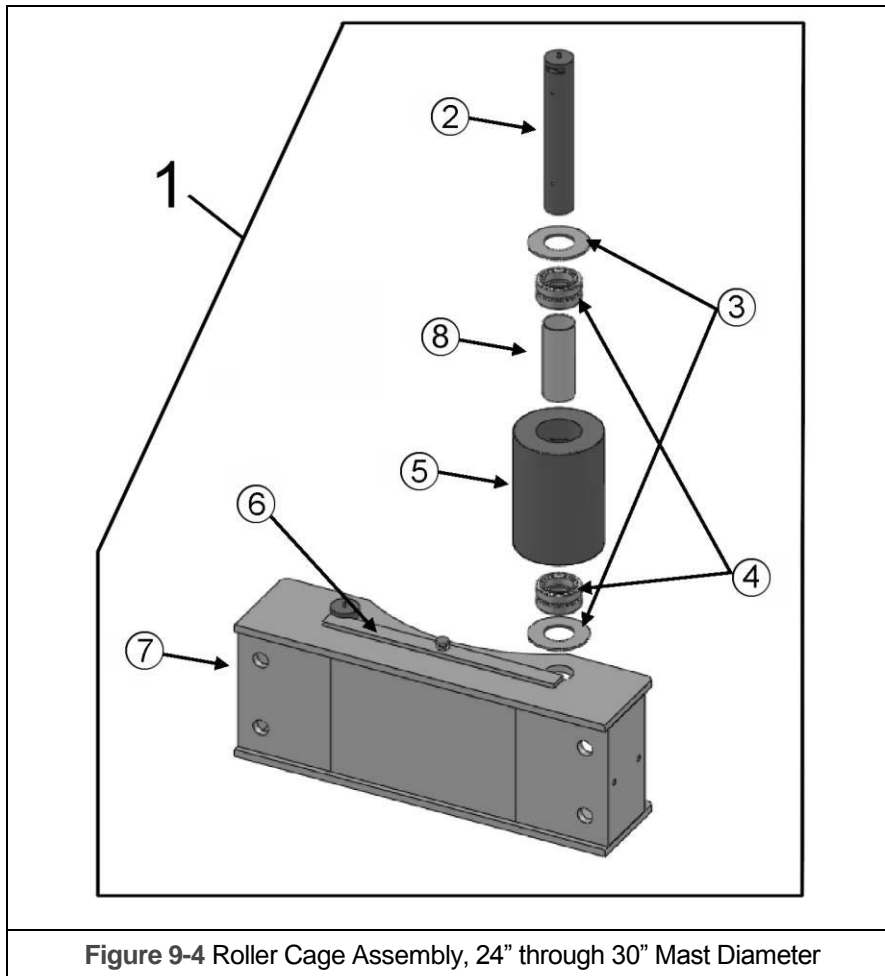


Figure 9-4 Roller Cage Assembly, 24" through 30" Mast Diameter

## 9.2 Roller Cage Assembly Parts

Figure No.	Description	Qty	MAST DIAMETER (INCHES)	
			24"	30"
1	Roller Cage Assembly	1	TT0112404A	TT0113004A
2	Roller Pin with Zirk Fitting	2	TT0192404	TT0193005
3	Flat Spacer Washer	4	TT097200001	TT097225001
4	Roller Bearing	4	TT0704031	TT0704436
5	Roller	2	TT0182404	TT0183005
6	Keeper Bar	1	TT2252401	TT2383001
7	Roller Cage Weldment	1	TT0112404	TT0113004
8	Bearing Spacer	2	TT0182414	TT0183015



### 9.3 Labels

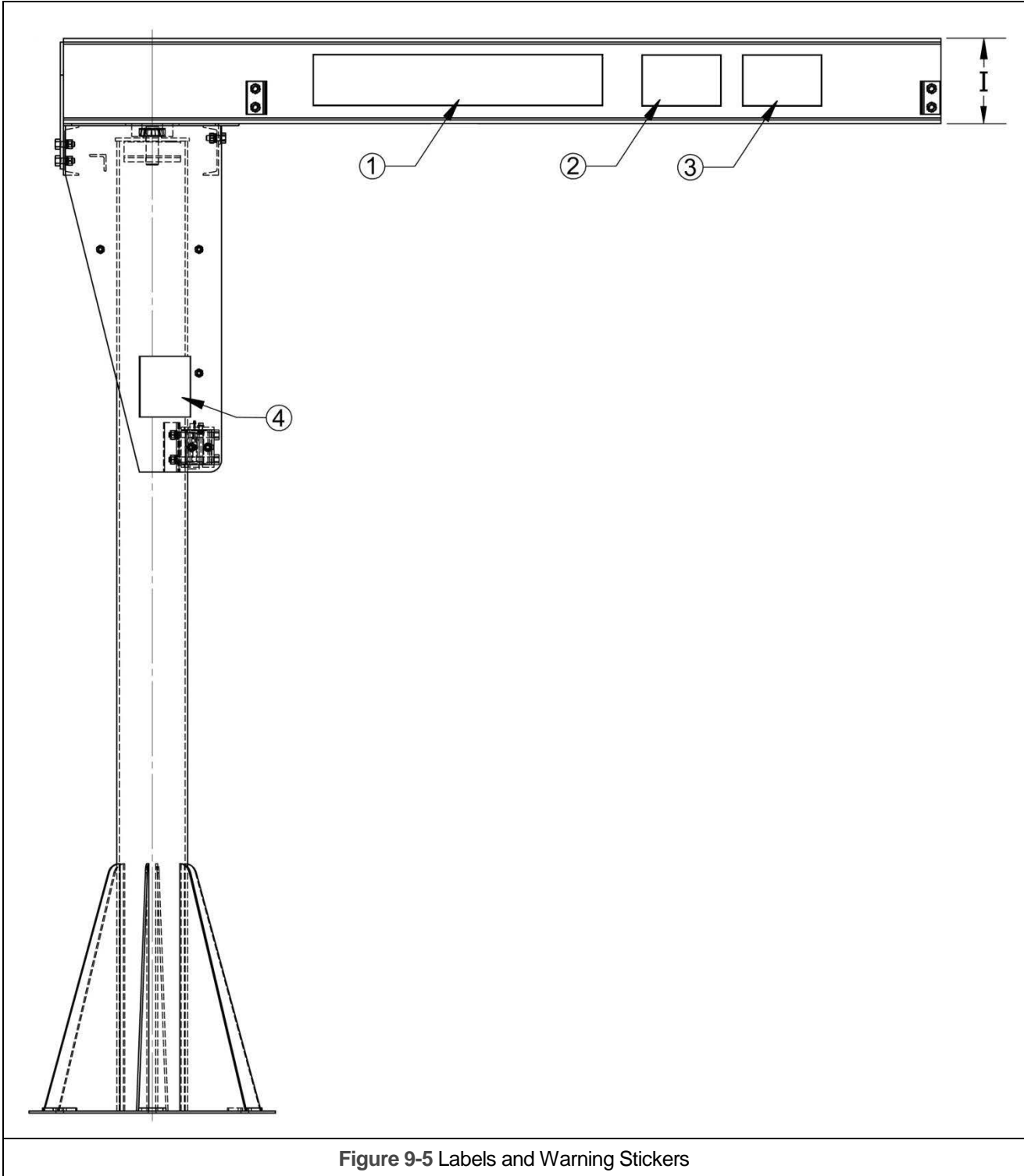


Figure 9-5 Labels and Warning Stickers

## 9.3 Labels

Figure No.	Description	Qty	BOOM HEIGHT   (INCHES)							
			6	8	10	12	14	16	18	20
1	Logo	2	8047301				8047302			
2	Capacity Number, 1	-	8047306							
	Capacity Number, 2		8047307							
	Capacity Number, 3		8047308							
	Capacity Number, 4		8047309							
	Capacity Number, 5		8047310							
	Capacity Number, 6		8047311							
	Capacity Number, 7		8047312							
	Capacity Number, 8		8047313							
	Capacity Number, 9		8047314							
	Capacity Number, 0		8047315							
	Capacity Slash		8047316							
3	Capacity Unit, TON	2	8047303							
	Capacity Unit, LBS		8047304							
	Capacity Unit, KG		8047305							
4	Danger label	2	80472							

**This Page Intentionally Left Blank**

**This Page Intentionally Left Blank**

---

# **TIGER** **TRACK**

[www.tigertrack.net](http://www.tigertrack.net)

**Headquarters**

401 West End Avenue  
Manheim, PA 17545-1703  
Phone: 717-665-2000  
Toll Free: 800-233-3010  
Fax: 717-665-2861

**Western Division**

2341 Pomona Rd. #103  
Corona, CA 92880-6973  
Phone: 951-279-7100  
Toll Free: 800-317-7111  
Fax: 951-279-7500

**TT351-352OM**