
OWNER'S MANUAL

MOTORIZED CANTILEVER JIB CRANE 313M Series (& 752 Fitting Kit)

¼ Ton through 3 Ton Capacity

Product Code and Serial Number

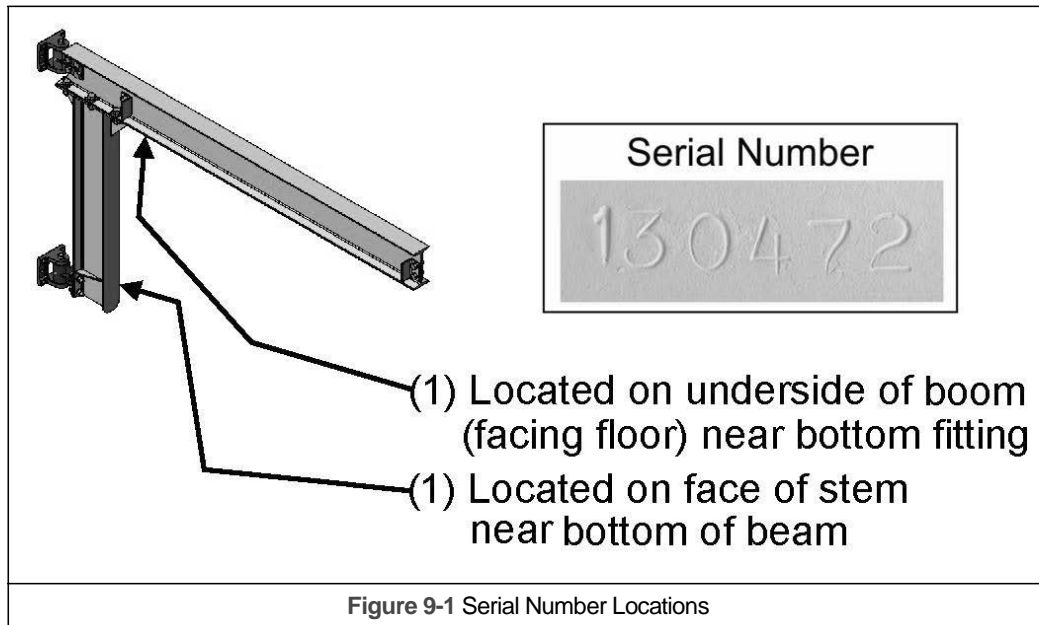
⚠ WARNING

This equipment should not be installed, operated or maintained by any person who has not read and understood all the contents of this manual. Failure to read and comply with the contents of this manual can result in serious bodily injury or death, and/or property damage.



9.0 Parts Information

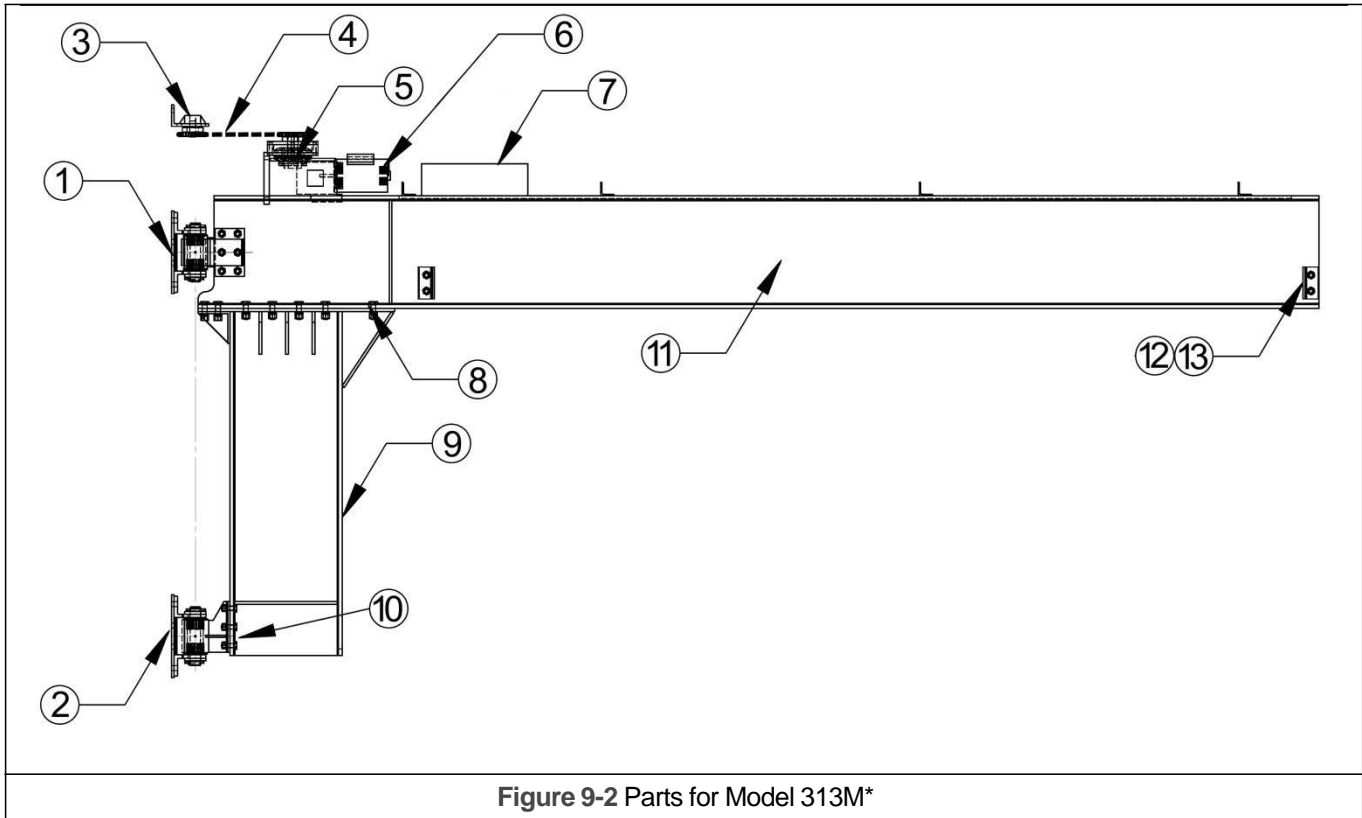
When ordering Parts, please provide the crane serial number which is stamped into each crane part (see **Figure 9-1**). The serial number is also located underneath the “Tiger Track” logo.



The parts list is arranged into the following sections:

Section		Page
9.1	Jib Crane Parts.....	24
9.2	Control Panel.....	26
9.4	Flat Cable.....	28
9.5	Labels.....	30

9.1 Jib Crane Parts



*This figure is for reference only and your specific crane may look different

9.1 Jib Crane Parts

Figure No.	Description	Qty	Rated Capacity			
			¼ & ½ TON (UP TO 20' SPAN)	1 TON (UP TO 20' SPAN)	2 TON (UP TO 20' SPAN)	3 TON (UP TO 20' SPAN)
1	Top Fitting*	1	SEE CRANE DRAWING FOR FITTING SERIES & SEE TABLE BELOW FOR FITTING PART NUMBERS			
2	Bottom Fitting *	1				
3	Stationary Sprocket*	1	TT0390060A		TT0390080A	TT0390100A
4	Drive Chain	1	TT60ARC		TT80ARC	TT100ARC
5	Torque Limiter	1	TT500A		TT700A80	TT700A
6	Drive Unit Assembly	1	TTK57R37		TTK67R37	TTK77R37
7	Control Panel Enclosure, VFD	1	TTC-SD24168			
8	Boom Assembly	1	SEE BILL OF MATERIALS			
9	Stem Assembly	1				
10	End Stops	4				
11	End Stop Hardware	-				
12	Boom To Stem Hardware	-				
13	Top Fitting Hardware	-				
14	Bottom Fitting Hardware	-				

Figure No.	Description	Qty	Fitting Series**		
			J-1	J-2	J-3
1	Top Fitting*	1	TT0601000A	TT0602000A	TT0603000A
2	Bottom Fitting *	1	TT0601012A	TT0602012A	TT0603012A

* Mounting hardware is supplied by others

** See Crane Drawing for Fitting series

9.2 Control Panel

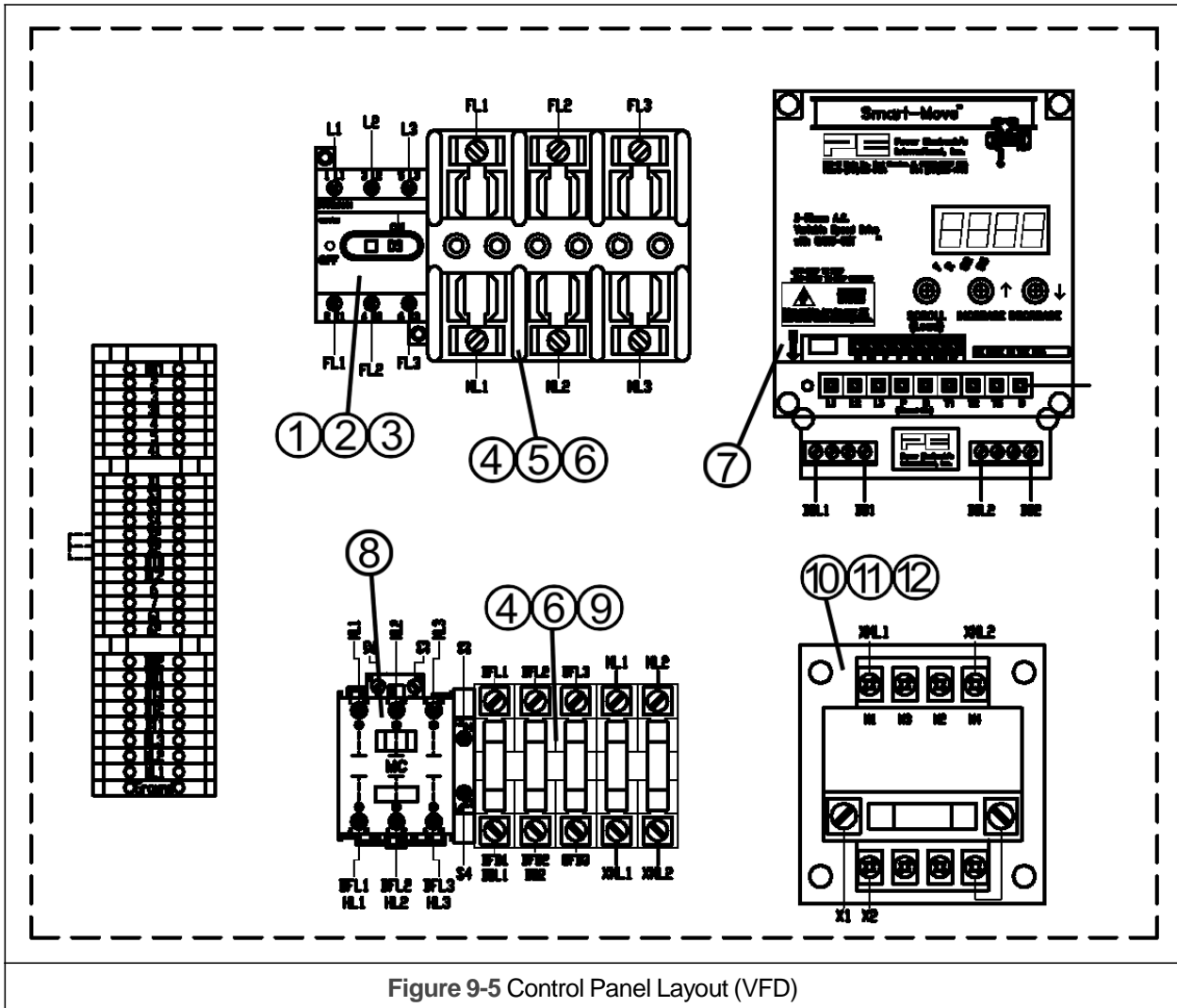
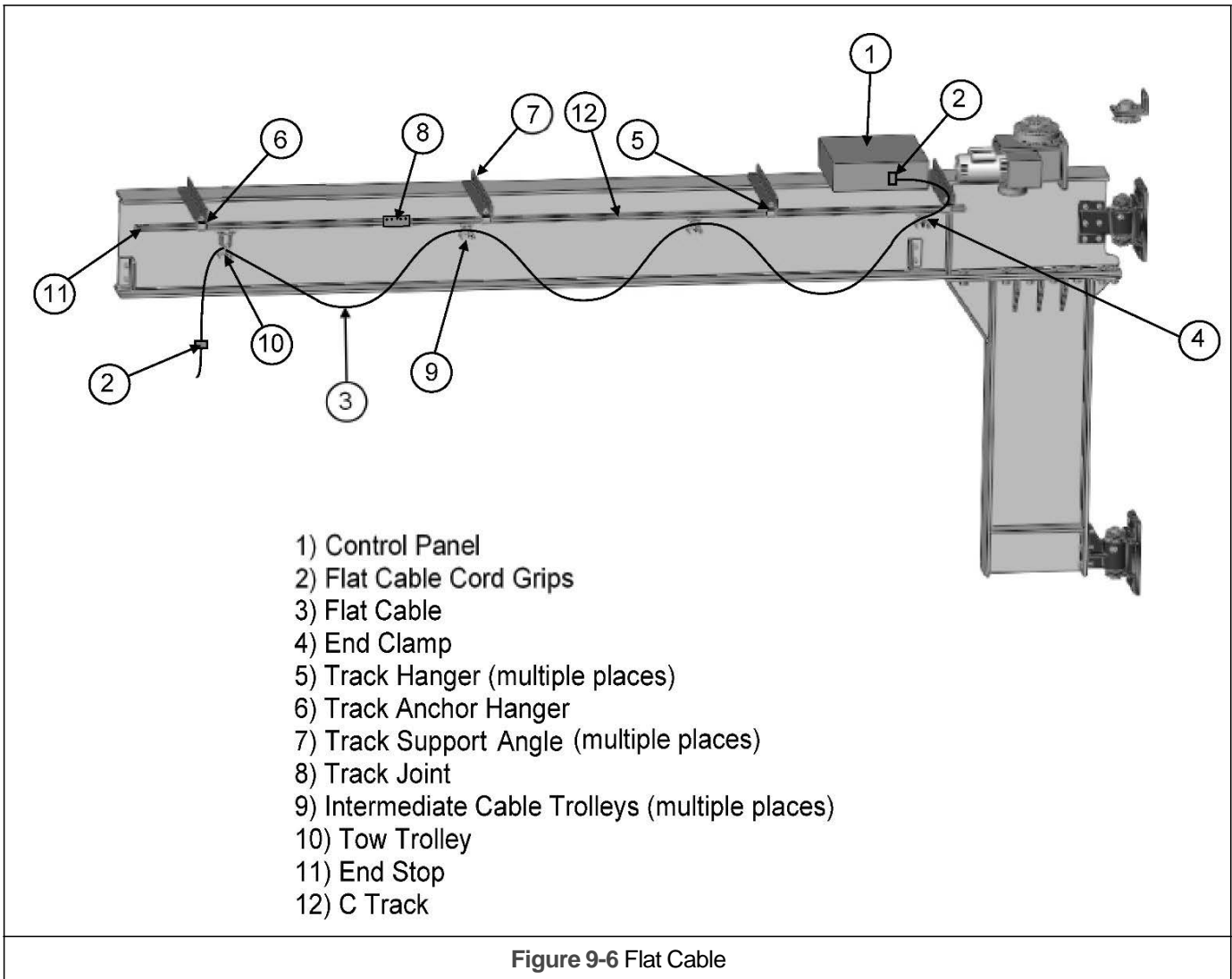


Figure 9-5 Control Panel Layout (VFD)

9.2 Control Panel

Figure No.	Description	Qty	Part Number
1	Selector Switch	1	TTCDH5S
2	30A Disconnect	1	TTCDNF32A3
3	Operating Shaft	1	TTBDS330S
4	Fuse Block, 30amp	2	TTBM6033PQ
5	Fuse, Midget Time Delay 30amp	3	TTFNQ 30
6	Din Rail Clip	4	TTDRA1
7	Inverter (4amp with brake relay)	1	TTMSM4ARP
8	Main line contactor, 30amp	1	TT100-C30D10
9	Fuse, Midget Time Delay 6amp	1	TTFNQ 6
10	Transformer, 200VA 460/230	1	TT1497-DBASX1N
11	Transformer Fuse, Time Delay	1	TTFNM 2.5
12	Surge Suppressor	1	TTRCS1A6

9.3 Flat Cable



9.3 Flat Cable

Figure No.	Part Name*		Part Number
1	Control Panel Enclosure	Single Speed	TTA16148CHFL
		VFD	TTC-SD24168
2	Flat Cable Cord Grips	For 4c/10awg	TT35835C
		For 8c/16awg	TT35837D
		For 4c/10awg and 8c/16awg	TT35837J
		For 12c/16awg	TT35838D
3	Flat Cable	4c/10awg	TT22542Y
		8c/16awg	TT22607Y
		2c/16awg	TT23324Y
4	End Clamp		TT21957
5	Track Hanger		TT28510
6	Track Anchor Hanger		TT28511
7	Track Support Angle (6" increments from 12" to 48")		TT4259980
8	Track Joint		TT023210
9	Cable Trolley		TT21991
10	Tow Trolley		TT22168
11	End stop		TT023215
12	C-track		TT534176

*The parts listed above are for standard applications. For parts for optional configuration, refer to Bill of Materials or contact Product Support.

9.4 Labels

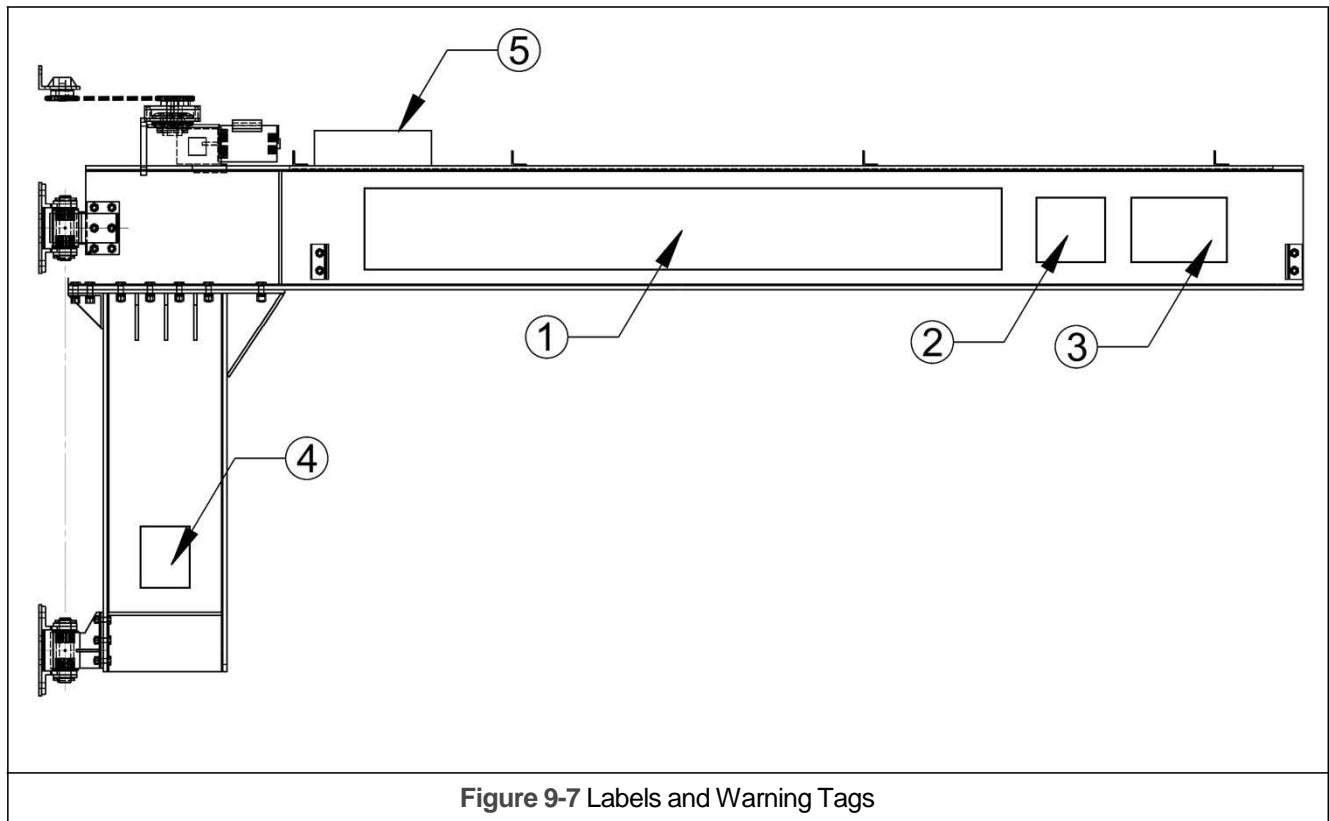


Figure 9-7 Labels and Warning Tags

9.4 Labels

Figure No.	Description	Qty	BOOM HEIGHT (inches)							
			6	8	10	12	14	16	18	20
1	Logo	2	8047301				8047302			
2	Capacity Number, 1	-	8047306							
	Capacity Number, 2		8047307							
	Capacity Number, 3		8047308							
	Capacity Number, 4		8047309							
	Capacity Number, 5		8047310							
	Capacity Number, 6		8047311							
	Capacity Number, 7		8047312							
	Capacity Number, 8		8047313							
	Capacity Number, 9		8047314							
	Capacity Number, 0		8047315							
	Capacity Slash		8047316							
3	Capacity Unit, TON	2	8047303							
	Capacity Unit, LBS		8047304							
	Capacity Unit, KG		8047305							
4	Danger label	2	80472							
5	Voltage label	1	8047317							



Harrington Hoists, Inc.
401 West End Avenue
Manheim, PA 17545

www.harringtonhoists.com

Toll Free: 800-233-3010
Phone: 717-665-2000
Fax: 717-665-2861

TT313M-ENG