
OWNER'S MANUAL

MOTORIZED TIE ROD JIB CRANE 311M Series (& 752 Fitting Kit)

½ Ton through 3 Ton Capacity

Product Code and Serial Number

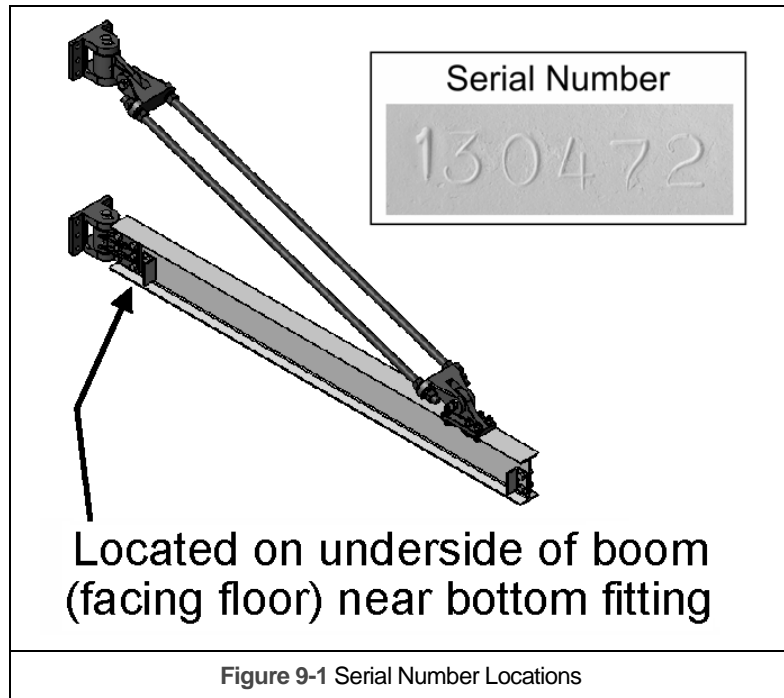
▲ WARNING

This equipment should not be installed, operated or maintained by any person who has not read and understood all the contents of this manual. Failure to read and comply with the contents of this manual can result in serious bodily injury or death, and/or property damage.

TIGER TRACK
JIBS & GANTRIES  BY HARRINGTON

9.0 Parts Information

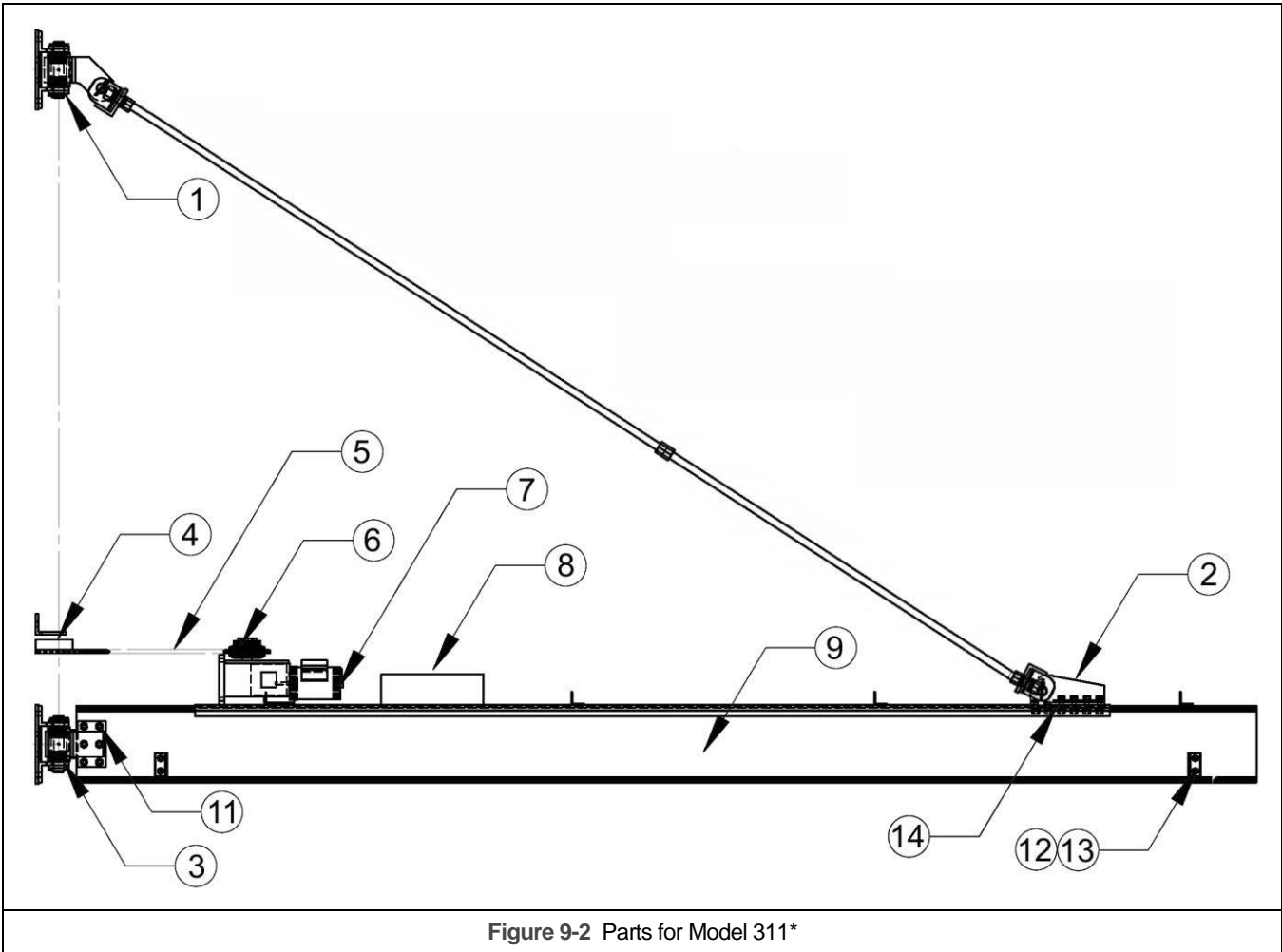
When ordering Parts, please provide the crane serial number which is stamped into each crane part (see **Figure 9-1**). The serial number is also located underneath the “Tiger Track” logo.



The parts list is arranged into the following sections:

Section	Page
9.1 Jib Crane Parts.....	24
9.2 Control Panel.....	26
9.3 Flat Cable	28
9.4 Labels.....	30

9.1 Jib Crane Parts



*This figure is for reference only and your specific crane may look different.

9.1 Jib Crane Parts

Figure No.	Description	Qty	Rated Capacity			
			¼ & ½ TON (UP TO 20' SPAN)	1 TON (UP TO 20' SPAN)	2 TON (UP TO 20' SPAN)	3 TON (UP TO 20' SPAN)
1	Top Fitting*	1	SEE CRANE DRAWING FOR FITTING SERIES & SEE TABLE BELOW FOR FITTING PART NUMBERS			
2	Boom End Fitting	1				
3	Bottom Fitting *	1				
4	Stationary Sprocket*	1	TT0390060A*		TT0390080A*	TT0390100A*
5	Drive Chain	1	TT60ARC		T80ARC	TT100ARC
6	Torque Limiter	1	TT500A		TT700A80	TT700A
7	Drive Unit Assembly	1	TTK57R37		TTK67R37	TTK77R37
8	Control Panel Enclosure, VFD	1	TTCSD24168			
9	Boom Assembly	1	SEE BILL OF MATERIALS			
10	Stem Assembly	1				
11	Bottom Fitting Hardware	-				
12	End Stops	4				
13	End Stop Hardware	-				
14	Boom End Fitting Hardware	-				

Figure No.	Description	Qty	Fitting Series**		
			J-1	J-2	J-3
1	Top Fitting*	1	TT0601004A*	TT0602004A*	TT0603004A*
2	Boom End Fitting	1	TT0601008A*	TT0602008A*	TT0603008A*
3	Bottom Fitting *	1	TT0601000A*	TT0602000A*	TT0603000A*

* Mounting hardware is supplied by others

** See Crane Drawing for Fitting series

9.2 Control Panel

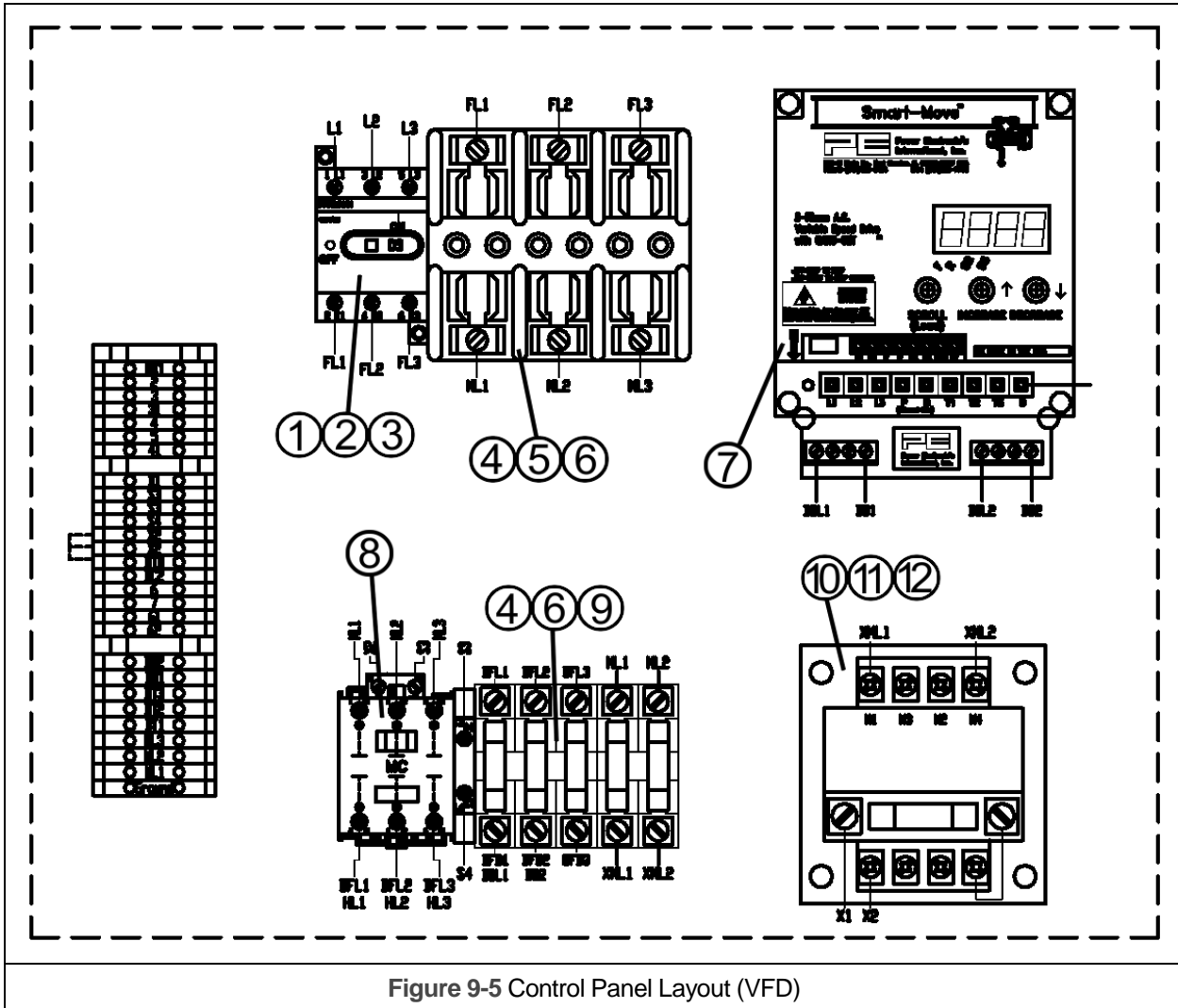


Figure 9-5 Control Panel Layout (VFD)

9.2 Control Panel

Figure No.	Description	Qty	Part Number
1	Selector Switch	1	TTCBDH5S
2	30A Disconnect	1	TTCDNF32A3
3	Operating Shaft	1	TTBDS330S
4	Fuse Block, 30amp	2	TTBM6033PQ
5	Fuse, Midget Time Delay 30amp	3	TTFNQ 30
6	Din Rail Clip	4	TTDRA1
7	Inverter (4amp with brake relay)	1	TTMSM4ARP
8	Main line contactor, 30amp	1	TT100-C30D10
9	Fuse, Midget Time Delay 6amp	1	TTFNQ 6
10	Transformer, 200VA 460/230	1	TT1497DBASX1N
11	Transformer Fuse, Time Delay	1	TTFNM 2.5
12	Surge Suppressor	1	TTRCS1A6

9.3 Flat Cable

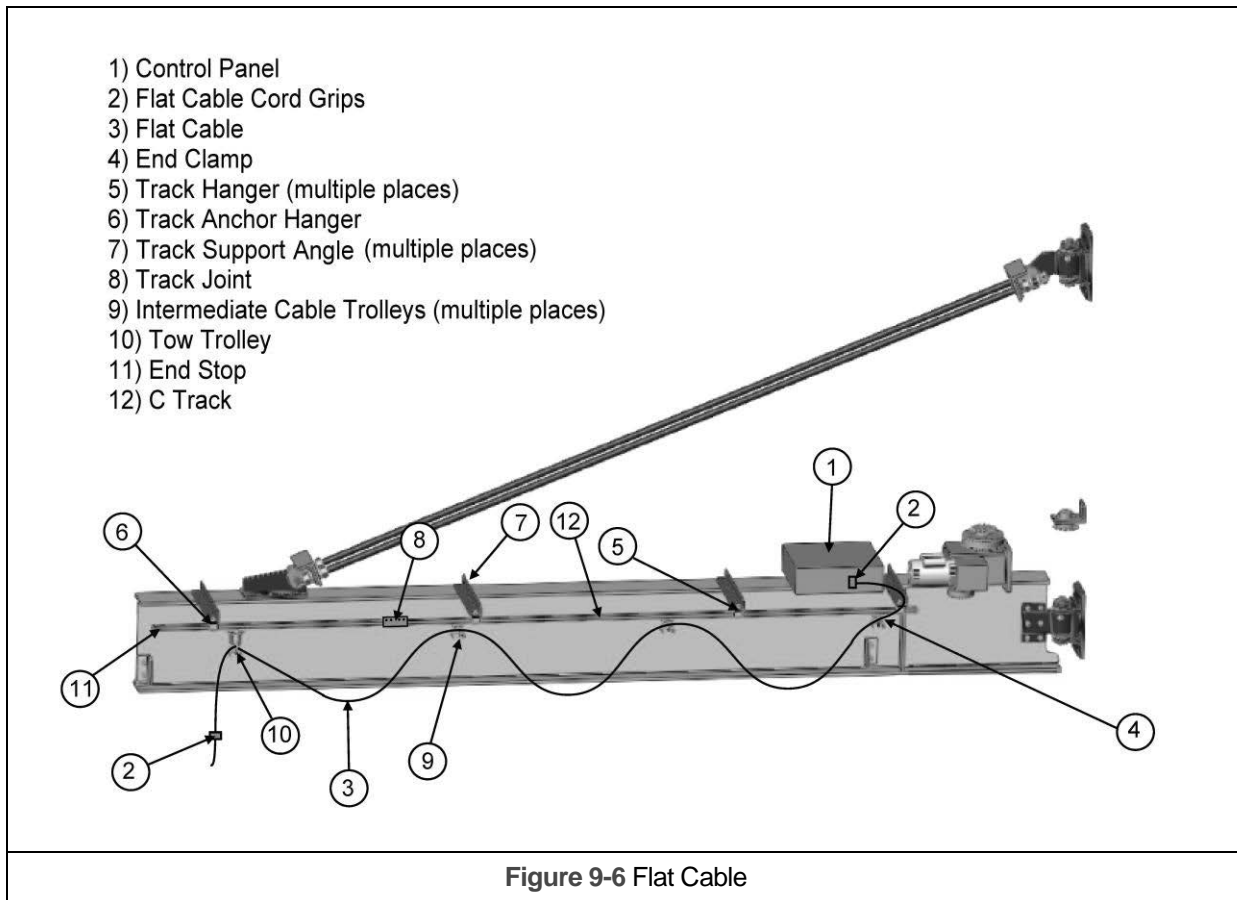


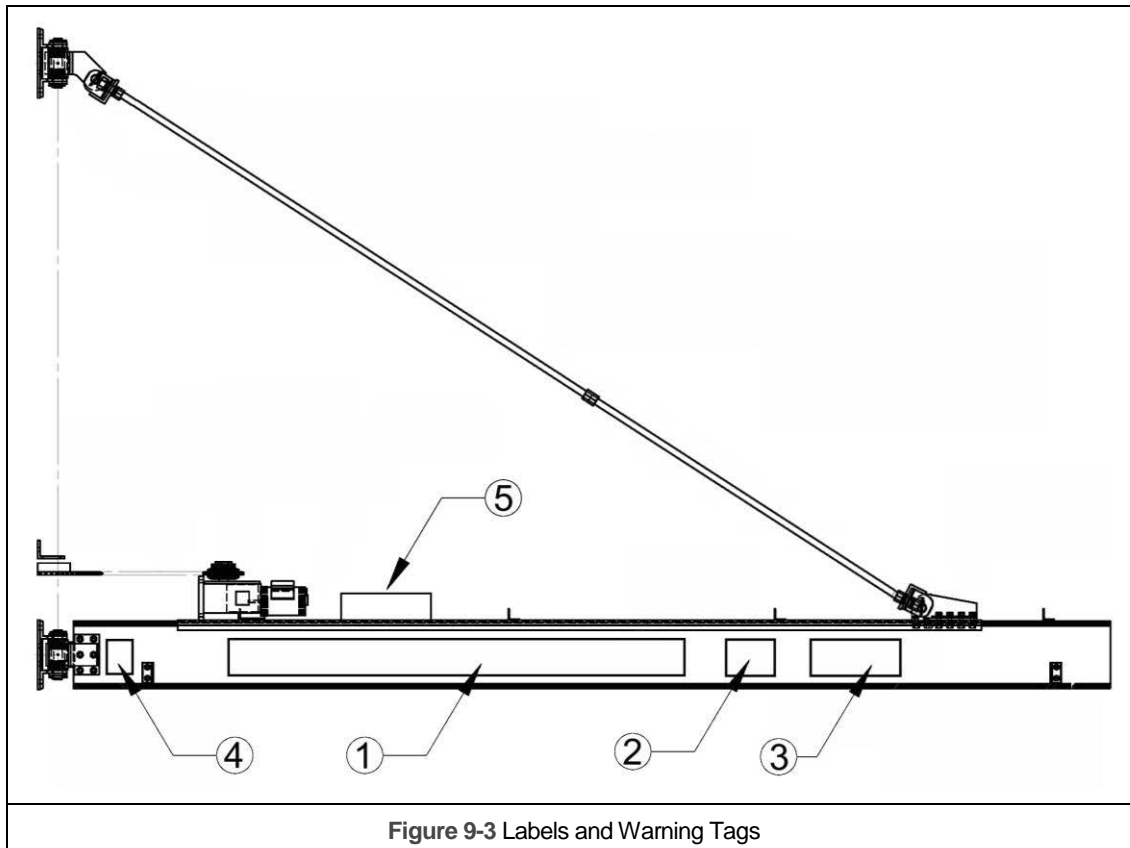
Figure 9-6 Flat Cable

9.4 Flat Cable

Figure No.	Part Name*		Part Number
1	Control Panel Enclosure, VFD	Single Speed	TTC-SD24168
2	Flat Cable Cord Grips	For 4c/10awg	TT35835C
		For 8c/16awg	TT35837D
		For 4c/10awg and 8c/16awg	TT35837J
		For 12c/16awg	TT35838D
3	Flat Cable	4c/10awg	TT22542Y
		8c/16awg	TT22607Y
		2c/16awg	TT23324Y
4	End Clamp		TT21957
5	Track Hanger		TT28510
6	Track Anchor Hanger		TT28511
7	Track Support Angle (6" increments from 12" to 48")		TT4259980
8	Track Joint		TT023210
9	Cable Trolley		TT21991
10	Tow Trolley		TT22168
11	End stop		TT023215
12	C-track		TT534176

*The parts listed above are for standard applications. For parts on optional configurations, refer to Bill of Materials or contact Product Support.

9.4 Labels



9.4 Labels

Figure No.	Description	Qty	BOOM HEIGHT (inches)								
			6	8	10	12	14	16	18	20	24
1	Logo	2	8047301			8047302					
2	Capacity Number, 1	-	8047306								
	Capacity Number, 2		8047307								
	Capacity Number, 3		8047308								
	Capacity Number, 4		8047309								
	Capacity Number, 5		8047310								
	Capacity Number, 6		8047311								
	Capacity Number, 7		8047312								
	Capacity Number, 8		8047313								
	Capacity Number, 9		8047314								
	Capacity Number, 0		8047315								
	Capacity Slash		8047316								
3	Capacity Unit, TON	2	8047303								
	Capacity Unit, LBS		8047304								
	Capacity Unit, KG		8047305								
4	Danger Label	2	80472								
5	Voltage Label	1	8047317								

HARRINGTON HOISTS AND CRANES

www.harringtonhoists.com

Harrington Hoists, Inc.
401 West End Avenue
Manheim, PA 17545-1703
Phone: 717-665-2000
Toll Free: 800-233-3010
Fax: 717-665-2861

Harrington Hoists – Western Division
2341 Pomona Rd. #103
Corona, CA 92880-6973
Phone: 951-279-7100
Toll Free: 800-317-7111
Fax: 951-279-7500

TT311M-OM