

---

# OWNER'S MANUAL

---

## MOTORIZED TROLLEY SMR SERIES

MODELS MP1A & MP1B

1 Ton through 3 Ton Capacity

Code, Lot and Serial Number

### **WARNING**

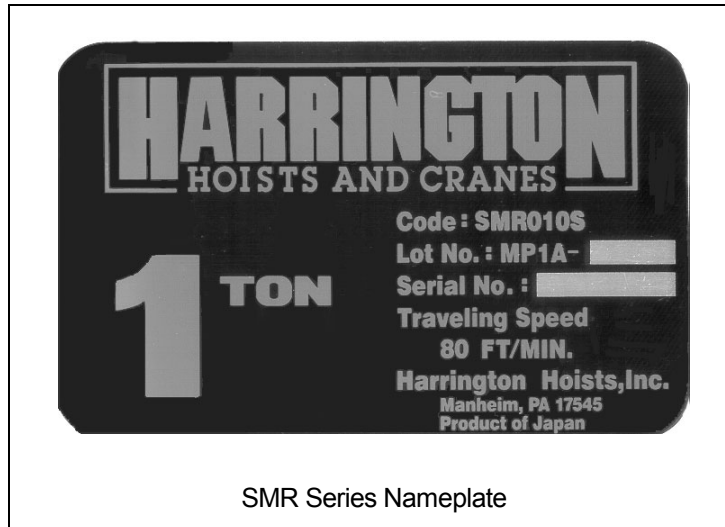
This equipment should not be installed, operated or maintained by any person who has not read and understood all the contents of this manual. Failure to read and comply with the contents of this manual can result in serious bodily injury or death, and/or property damage.

**HARRINGTON**  
HOISTS AND CRANES

## 9.0 1/8 to 3 Ton Parts List\*

When ordering Parts, please provide the Hoist code number, lot number and serial number located on the Hoist nameplate (see fig. below).

Reminder: Per sections 1.1 and 3.5.1 to aid in ordering Parts and Product Support, record the Hoist code number, lot number and serial number in the space provided on the cover of this manual.



The parts list is arranged into the following sections:

<b>Section</b>	<b>Page</b>
9.1 Electric Parts.....	38
9.2 Pendant Parts.....	40
9.3 Power Supply Parts.....	42
9.4 Side Plates and Suspension Parts.....	44
9.5 Motor Parts.....	46

In the column "Parts Per Trolley" a designator is used for parts that apply only to a particular model or option.

Refer to Section 2 for SMR Trolley model numbers and additional descriptions.

The designators are:

L= Single speed, Standard, 80 fpm

S = Single Speed, Low, 40 fpm

# 9.1 Electric Parts

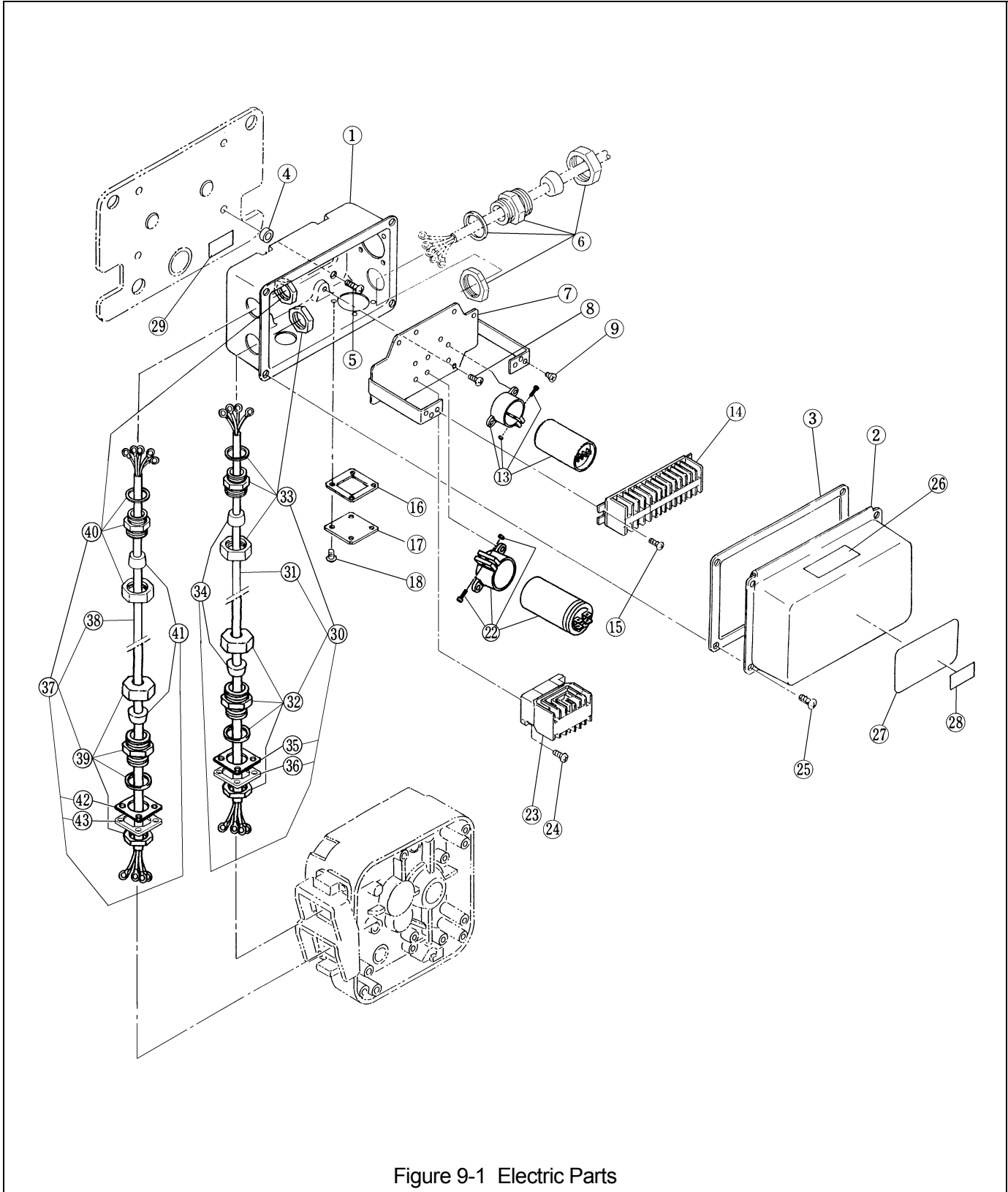


Figure 9-1 Electric Parts

## 9.1 Electric Parts

Figure No.	Part Name	Parts Per Trolley	1 Ton	2 Ton	3 Ton	
1	Connection Box	1		MR1DS9401		
2	Connection Box Lid	1		MR1DS9411		
3	Packing	1		MR1DS9421		
4	Spacer	4		MS517010		
5	Machine Screw	4		60704		
6	Cable Holder A Assembly	1		ECP5924BB		
7	Plate Assembly	1		MP1DS9447		
8	Machine Screw w/Spring Washer	4		MS554010		
9	Machine Screw w/Spring Washer	2		MS555010		
10	Holder 46	1		ECP99BK02		
11	Nut	1		9093414		
12	Machine Screw w/Spring Washer	1		MS557010		
13	Starter Switch Assembly	1		EP1BS2472		
14	Terminal Plate 18P	1		ECP1518AE		
15	Machine Screw w/Spring Washer	2		MS556010		
16	Cord Cover Support Packing	1		MS527010		
17	Lid 42	1		E6F630010S		
18	Machine Screw w/Spring Washer	4		MS554010		
22	Capacitor Assembly – Model MP1A	1		EP1BS2473		
	Capacitor Assembly – Model MP1B	1		MP1DS2535		
23	Electromagnetic Contactor	1		MGC23306D		
24	Machine Screw w/Spring Washer	2		MS556010		
25	Machine Screw	4		MS554010		
26	Warning Label EE	1		E2D866125		
27	Nameplate B – Model MP1A	S	1	B1SHF10S9A6	B1SHF20S9A6	B1SHF30S9A6
		L	1	B1SHF10L9A6	B1SHF20L9A6	B1SHF30L9A6
	Nameplate B – Model MP1B	S	1	B1SHF10S9A6R2	B1SHF20S9A6R2	B1SHF30S9A6R2
		L	1	B1SHF10L9A6R2	B1SHF20L9A6R2	B1SHF30L9A6R2
	Nameplate B (blank) – Model MP1A	S	1	B1SHF10S9A8	B1SHF20S9A8	B1SHF30S9A8
		L	1	B1SHF10L9A8	B1SHF20L9A8	B1SHF30L9A8
Nameplate B (blank) – Model MP1B	S	1	B1SHF10S9A8R2	B1SHF20S9A8R2	B1SHF30S9A8R2	
	L	1	B1SHF10L9A8R2	B1SHF20L9A8R2	B1SHF30L9A8R2	
28	Nameplate C – 1/4 Ton	1	B1SHM03S9A7			
	Nameplate C – 1/2 Ton	1	B1SHM05S9A7			
29	Warning Seal TM	1	T6PD0059865			
30	Cable 3C Assembly	1	MP1DS2745		MP1FS2745	
31	P/S Cord 4C	1	12/4			
32	Cable Holder A Assembly	1	60704			
33	Cable Holder A Assembly	1	60704			
34	Cable Packing	2	ECP6916AA			
35	Holder Plate	1	ECP5924AI			
36	Plate Packing	1	ECP5924AJ			
37	Cable 4C Assembly	1	MP1DS2746		MP1FS2746	
38	P/B Cord 5C	1	16/6			
39	Cable Holder A Assembly	1	60704			
40	Cable Holder A Assembly	1	60704			
41	Cable Packing	2	ECP6912AA			
42	Holder Plate	1	ECP5924AI			
43	Plate Packing	1	ECP5924AJ			

## 9.2 Pendant Parts

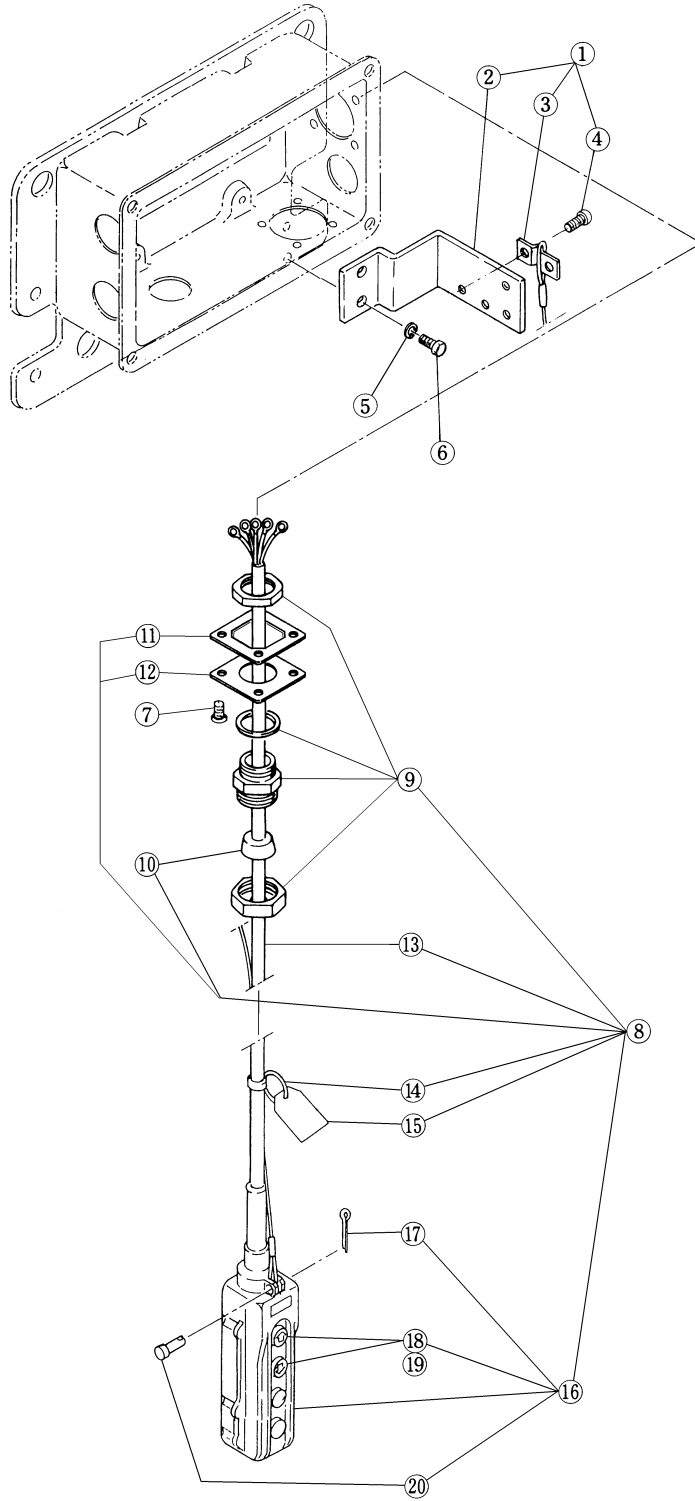


Figure 9-2 Pendant Parts

## 9.2 Pendant Parts

Figure No.	Part Name	Parts Per Trolley	1 Ton	2 Ton	3 Ton
1	Bar Holder Assembly	1		MR1DS1481	
2	Bar Holder	1		MR1DS9481	
3	Cord Chain Stopper	1		E6L614010S	
4	Machine Screw w/Spring Washer	2		E6F151003	
5	Spring Washer	2		9012712	
6	Socket Bolt	2		9091295	
7	Machine Screw w/Spring Washer	4		MS554010	
8	4 Button Pendant	1	MP1DSS2781		MP1FSS2781
9	Cable Holder A Assembly	1		60704	
10	Cable Packing	1		ECP6912AA	
11	Plate Packing	1		ECP5924AJ	
12	Holder Plate	1		ECP5924AF	
13	P/B Cord 5C	1		16/6P	
14	Tag Holder	1		E3S787003	
15	Warning Tag LD	1		WTAG7	
16	4 Push Button Switch Assembly	1		ECP311EAB	
17	Split Pin	1		9009402	
18	Cap	4		CAP	
19	Arrow Set of 2	4		ARROWS	
20	Cord Chain Pin B	1		ES628003	



### 9.3 Power Supply Parts

Figure No.	Part Name	Parts Per Trolley		1 Ton	2 Ton	3 Ton
1	Power Supply Cable 4C Assembly		1	MP1ES1771		
2	Power Supply Cable 4C		1	10/4		
3	Cable Support 14 Assembly		1	M3EN010-17242		
4	Cable Packing		1	ECP6918AA		
5	Cable Hanger 14 Assembly		6	MS1733020		
6	Cable Support Bar Complete Assembly		1	MR1DS1491		
7	Cable Support Arm		1	MR1DS9492		
8	Cable Support Bar		1	MR1DS9491		
9	Wire Guide Assembly		1	MR1DS1493		
10	Support Bar Holder		1	MR1DS9501		
11	Spring Washer		2	9012711		
12	Hex Head Cap Screw		2	9093329		
13	Spring Washer		2	9012712		
14	Socket Bolt		2	9091293		
15	Trolley Cable Assembly 6C		1	MP1DS1796		
16	Trolley Cable 6C		1	14/6		
17	Cable Holder A Assembly		2	60704		
18	Cable Packing		2	ECP6914AA		



## 9.4 Side Plates and Suspension Parts

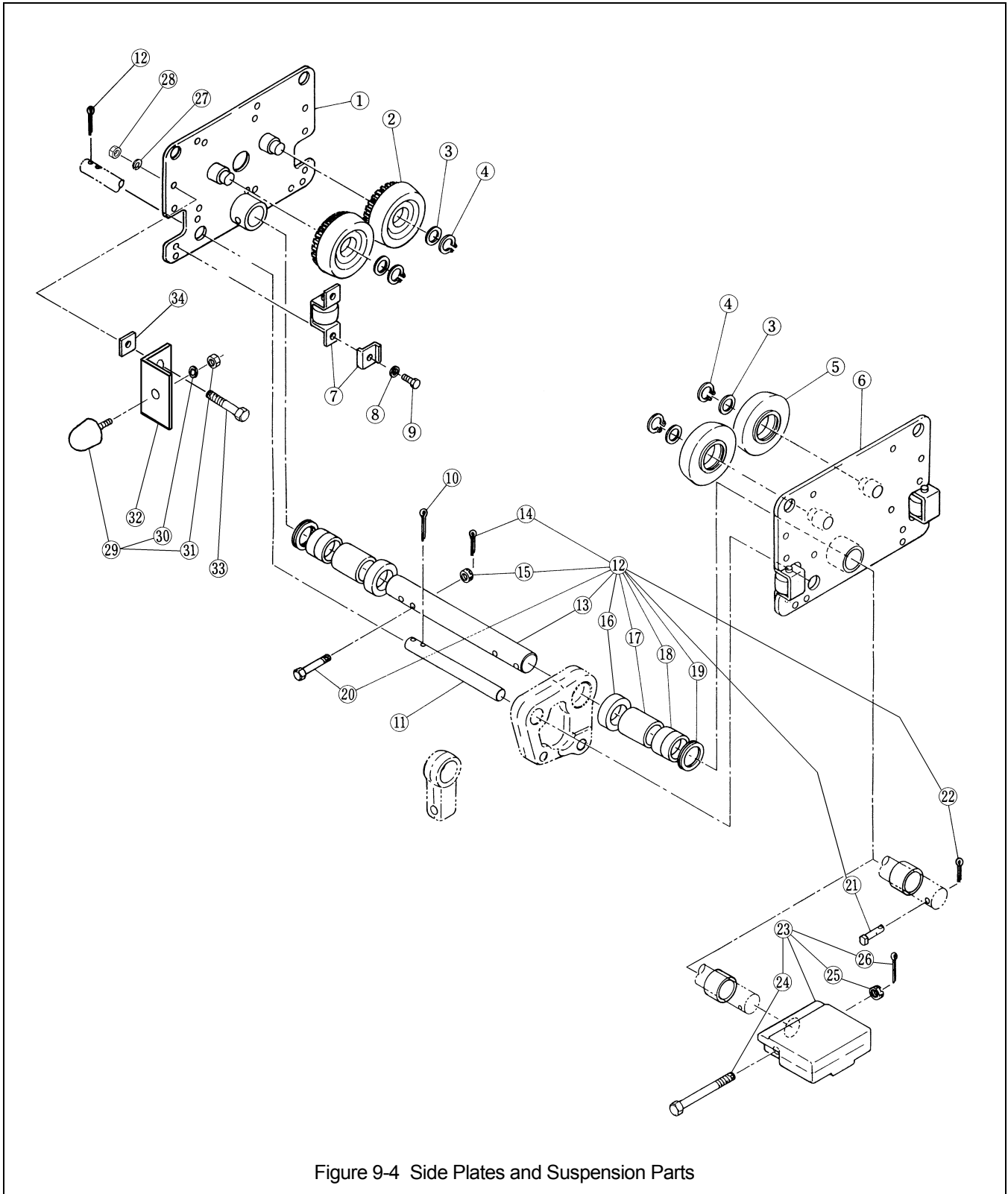


Figure 9-4 Side Plates and Suspension Parts

## 9.4 Side Plates and Suspension Parts – All Speeds

Figure No.	Part Name	Parts Per Trolley	1 Ton	2 Ton	3 Ton
1	Side Plate G Assembly	1	MR1DS5201	MR1ES5201	MR1FS5201
2	Track Wheel G Assembly	2	MS1101010	MS1101020	MS1101030
3	Washer	4	MS104010	MS104020	MS104030
4	Snap Ring	4	9047115	9047120	9047125
5	Track Wheel S Assembly	2	MS1102010	MS1102020	MS1102030
6	Side Plate S Assembly	1	MR1DS5202	MR1ES5202	MR1FS5202
7	Side Roller Complete Set	4	MR1DS1211	MR1ES1211	
8	Spring Lock Washer	8	9012711	9012712	
9	Bolt	4	9093329	9093351	
10	Split Pin	2	9009446		9009448
11	Fixing Shaft	1	MR1DS9131	MR1ES9131	MR1FS9131
12	Suspension Shaft Complete Set	1	MR1DS1111	MR1ES1111	MR1FS1111
13	Suspension Shaft	1	MSF115010	MSF115020	MR1FS9101
14	Split Pin	1	90094145		90094165
15	Slotted Nut	1	T3P154020		MS162030
16	Thick Spacer L	2	MR1DS9110	MR1ES9110	MR1FS9110
17	Fixing Spacer	0			
18	Thick Spacer	3	MSF116010	T7G116030	MSF116030
19	Thin Spacer	8	MSF117010	MSF117020	MSF117030
20	Bolt	1	MS161010	MS161020	MS161030
21	Shaft Stopper	1	T6G156020	MS164020	MS164030
22	Split Pin	1	9009432		9009433
23	Balance Weight Complete Set	1	MR1DB1621		
24	Weight Bolt	1	MR1DB9622		
25	Slotted Nut	1	MS162010		
26	Split Pin	1	9009413		
27	Spring Washer	8	9093424	9093427	
28	Nut	8	9012711	9012712	
29	Bumper	4	MR1DS9631	MR1FS9631	
30	Spring Washer	4	9012711		
31	Nut	4	9093424		
32	Angle	4	MR1DS9634	MR1ES9634	
33	Bolt	8	9093330	9093352	
34	Square Spacer	4	MS006010	MS006020	

### EXTENDED FLANGE RANGE SUSPENSION SHAFT PARTS

Figure No.	Part Name	Parts Per Trolley	1 Ton	2 Ton	3 Ton
10	Split Pin	2	9009446		9009448
11	Fixing Shaft	1	MR1DS9141	MR1ES9141	MR1FS9141
12	Suspension Shaft Complete Set	1	MR1DS1112	MR1ES1112	MR1FS1112
13	Suspension Shaft	1	MSF181010	MSF181020	MR1FS9121
14	Split Pin	1	90094145		90094165
15	Slotted Nut	1	T3P154020		MS162030
16	Thick Spacer L	2	MR1DS9110	MR1ES9110	MR1FS9110
17	Fixing Spacer	2	MSF182010	MSF182020	MSF182030
18	Thick Spacer	9	MSF116010	T7G116030	MSF116030
19	Thin Spacer	8	MSF117010	MSF117020	MSF117030
20	Bolt	1	MS161010	MS161020	MS161030
21	Shaft Stopper	1	T6G156020	MS164020	MS164030
22	Split Pin	1	9009432		9009433

## 9.5 Motor Parts

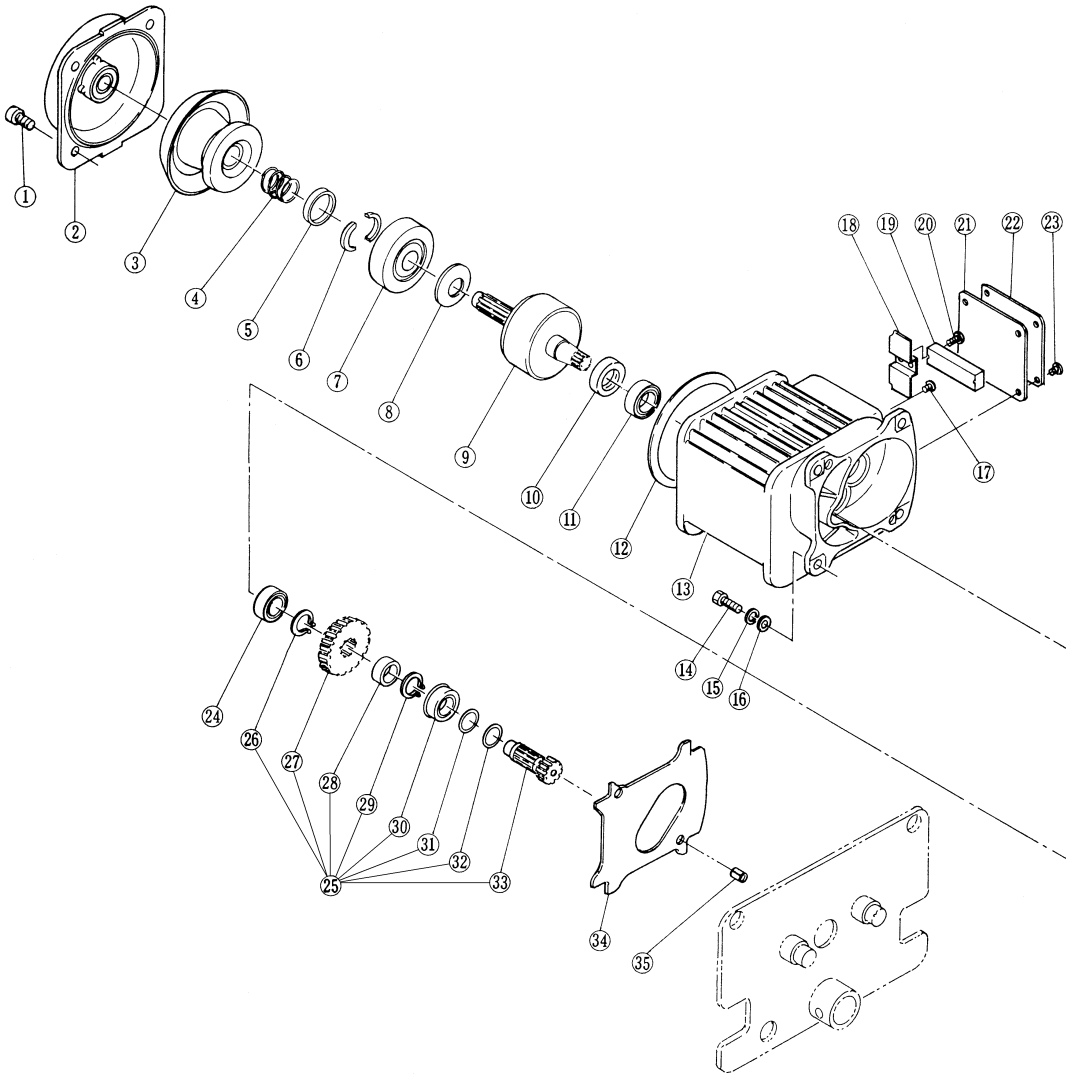


Figure 9-5 Motor Parts

## 9.5 Motor Parts

Figure No.	Part Name	Parts Per Hoist	1 Ton	2 Ton	3 Ton
1	Socket Bolt	4	90912134		
2	Motor Cover Assembly	1	MR1DS1301		
3	Brake Drum Assembly – Model MP1A	1	MP1DS5261		
	Brake Drum Assembly – Model MP1B	1	MP1DS5261R2		
4	Brake Spring	1	MP1DS9264		
5	Thrust Collar	1	ES506005S		
6	Thrust Disc	2	ES505005S		
7	Pull Rotor	1	ES503005S		
8	Coned Disc Spring	1	ES504005S		
9	Motor Shaft with Rotor – Model MP1A	1	MP1DS5291		
	Motor Shaft with Rotor – Model MP1B	1	MP1DS5291R2		
10	Oil Seal	1	MR1DS9293		
11	Ball Bearing	1	9001004		
12	Guard	1	MR1DS9281		
13	Motor Frame with Stator – Model MP1A	1	B1SHF10S5A2		
	Motor Frame with Stator – Model MP1B	1	B1SHF10S5R2		
	Motor Frame with Stator – Model MP1A – w/Optional Thermal Protection	1	B1SHF10S5TP		
	Motor Frame with Stator – Model MP1B – w/Optional Thermal Protection	1	B1SHF10S5TPR2		
14	Bolt	4	9093328		
15	Spring Washer	4	9012711		
16	Washer	4	9012513		
17	Machine Screw w/Spring Washer	1	MS555010		
18	Coil Cover	1	MR1DS9326		
19	Terminal Plate 6P	1	MS518010		
20	Machine Screw w/Spring Washer	2	MS556010		
21	Terminal Cover Packing	1	MR1GS9325		
22	Terminal Cover	1	M6F206D010		
23	Machine Screw w/Spring Washer	4	MS554010		
24	Ball Bearing	1	E2D238125		
25	Gear Set 80 FPM	S 1	MR1DS1241	MR1ES1241	
	Gear Set 40 FPM	L 1	MR1DL1241	MR1EL1241	
26	Snap Ring	1	9047120		
27	Gear #2 80 FPM – MODEL MP1B ONLY	S 1	MR1DS9241		
	Gear #2 40 FPM	L 1	MR1DL9241		
28	Spacer	1	MR1DS9244		
29	Snap Ring	1	9047120		
30	Ball Bearing	1	9001211		
31	O Ring	1	MR1DS9254		
32	O Ring	1	9013316		
33	Gear #3	1	MR1DS9242	MR1ES9242	
34	Gear Box Packing	1	MR1DS9248		
35	Set Pin	2	MR1DS9249		



[www.harringtonhoists.com](http://www.harringtonhoists.com)

Harrington Hoists, Inc.  
401 West End Avenue  
Manheim, PA 17545-1703  
Phone: 717-665-2000  
Toll Free: 800-233-3010  
Fax: 717-665-2861

Harrington Hoists – Western Division  
2341 Pomona Rincon Rd. #103  
Corona, CA 92880-6973  
Phone: 909-279-7100  
Toll Free: 800-317-7111  
Fax: 909-279-7500

**SMROM**